

# FZ51IX

## 60cm Built In Oven



**60cm 5 function built in oven**

### Features and Benefits:

<b>5 Cooking Functions</b>	Grill, Gratin, Multi Level, Top Heating, Traditional
<b>Glass Inner Door</b>	No crevasses for food to get trapped in so it's easier to clean
<b>Anti Touch Stainless Steel</b>	Easy clean stainless steel finish, and Fingerprint resistant finish
<b>Minute Minder</b>	Keeping an eye on your food, all you have to do is set the number of minutes and the timer will sound when your dish is cooked

**Distributed by Arisit Pty Ltd**

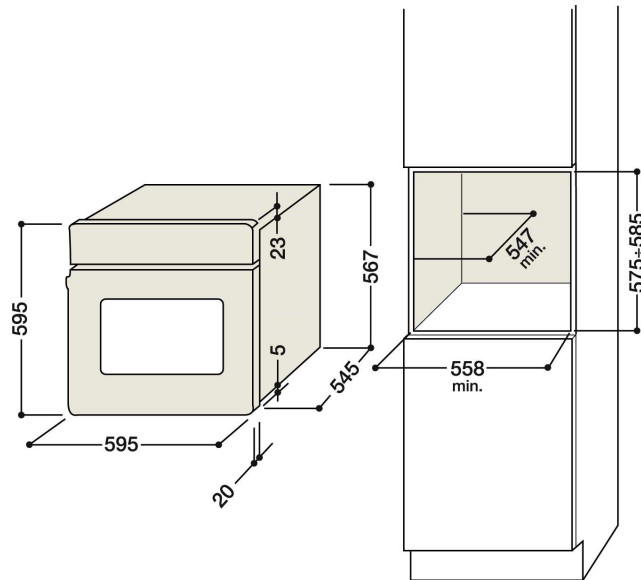
40-44 Mark Anthony Drive, Dandenong South VIC 3175 Ph: 1300 762 219 Fax: 03 9768 0838 Website: [www.arisit.com](http://www.arisit.com)

1A Howe Street, Newton, Auckland NZ 1145

Ph:(09) 306 1020 Fax: (09) 302 0077

# FZ51IX

## 60cm Built In Oven



### Technical Specifications:

No. Functions	5
Oven Capacity (Gross)	66L
Timer	Minute Minder
No. Door Glass	3
Cleaning	Manual
Finish	Stainless Steel
Dimensions (W) x (H) x (D)	59.5 x 59.5 x 54.5

Technical	
Accessories	1 x tray, 2 x grids
Cooling Fan	Y
Absorbed Power	2400W
Connection	240V/50/60Hz/10A

### Distributed by Arisit Pty Ltd

40-44 Mark Anthony Drive, Dandenong South VIC 3175 Ph: 1300 762 219 Fax: 03 9768 0838 Website: [www.arisit.com](http://www.arisit.com)

1A Howe Street, Newton, Auckland NZ 1145

Ph:(09) 306 1020 Fax: (09) 302 0077