

SL 16P.1IX

60cm Slimline Hood



ARISTON



60cm Slimline Hood

Features and Benefits:

420 m3/h Extraction

120 mm ducting

Available in stainless steel or white

3 Speed settings

2 self-supporting aluminium filters

2 X 20 W Halogen lights rear

Distributed by Arisit Pty Ltd

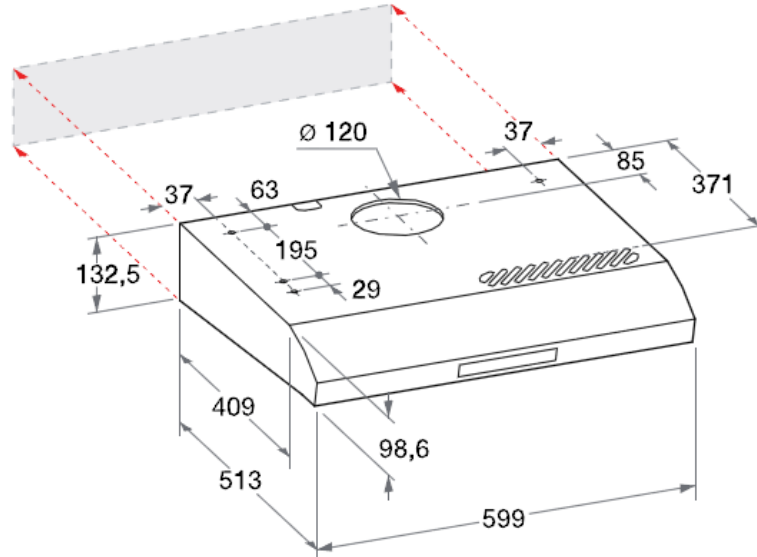
40-44 Mark Anthony Drive, Dandenong South VIC 3175 Ph: 1300 762 219 Fax: 03 9768 0838 Website: www.arisit.com

1A Howe Street, Newton, Auckland NZ 1145

Ph:(09) 306 1020 Fax: (09) 302 0077

SL 16P.1IX

60cm Slimline Hood



Technical Specifications:

Extraction Rate	420 m3/h
Speed Settings	3
Lighting Type / Position	2 x Halogens / Rear
Control Type	Mechanical
Colour	Stainless Steel
Filter Type	Aluminum
Dimensions (W) x (H) x (D)	60 x 13 x 51.12

Technical	
Connection	220/240V~ / 50/60Hz
Ducting Outlet	120

WARNING: technical specifications and product sizes can be varied by the manufacturer, without notice. Cut outs for appliances should only be by physical product measurements. The above information is indicative only.

Distributed by Arisit Pty Ltd

40-44 Mark Anthony Drive, Dandenong South VIC 3175 Ph: 1300 762 219 Fax: 03 9768 0838 Website: www.arisit.com

1A Howe Street, Newton, Auckland NZ 1145

Ph:(09) 306 1020

Fax: (09) 302 0077