

RHC 90 IX

90cm CANOPY HOOD



90cm Canopy Hood

Features and Benefits:

3 Speed controls	Easy to use push controls
3 Aluminium filters	Fully ducted to help remove cooking odour
Fingerprint resistant stainless steel	Fingerprint resistant stainless steel makes cleaning easy
Airflow	Max extraction rate is 665m ³ /h removes cooking odours with ease

Distributed by Arisit Pty Ltd

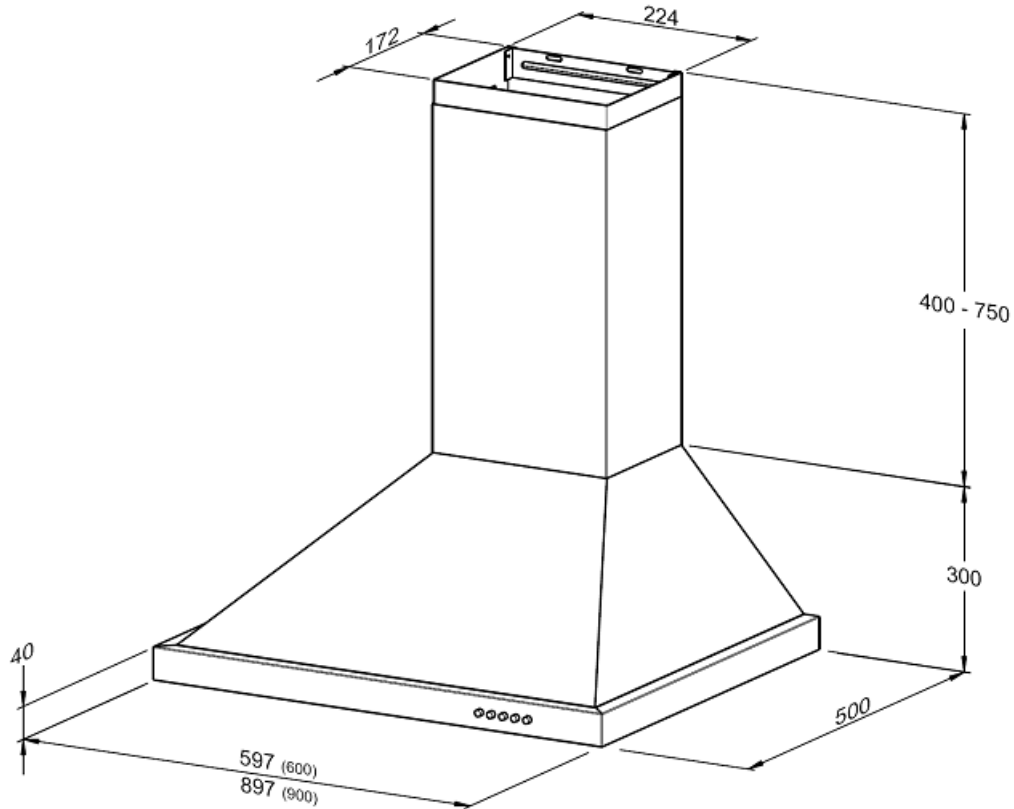
40-44 Mark Anthony Drive, Dandenong South VIC 3175 Ph: 1300 762 219 Fax: 03 9768 0838 Website: www.arisit.com

1A Howe Street, Newton, Auckland NZ 1145

Ph:(09) 306 1020 Fax: (09) 302 0077

RHC 90 IX

90cm CANOPY HOOD



Technical Specifications:

No: Programs	3
Extraction Rate	655 (m3/h)
Colour	Stainless Steel
Filter type	Aluminum
Control Type Button	Push control
Lights	2 x halogen lights

Noise Level	66DbA
Absorbed power	321w
Supply voltage	220-224v
Dimensions (W) x (H) x (D)	897 x 300 x 500

WARNING: technical specifications and product sizes can be varied by the manufacturer, without notice. Cut outs for appliances should only be by physical product measurements. The above information is indicative only.

Distributed by Arisit Pty Ltd

40-44 Mark Anthony Drive, Dandenong South VIC 3175 Ph: 1300 762 219 Fax: 03 9768 0838 Website: www.arisit.com

1A Howe Street, Newton, Auckland NZ 1145

Ph:(09) 306 1020 Fax: (09) 302 0077