

# RHC 60 IX

## 60cm CANOPY HOOD



### 60cm Canopy Hood

#### Features and Benefits:

3 Speed controls	Easy to use push controls
3 Aluminium filters	Fully ducted to help remove cooking odour
Fingerprint resistant stainless steel	Fingerprint resistant stainless steel makes cleaning easy
Airflow	Max extraction rate is 665m <sup>3</sup> /h removes cooking odours with ease

**Distributed by Arisit Pty Ltd**

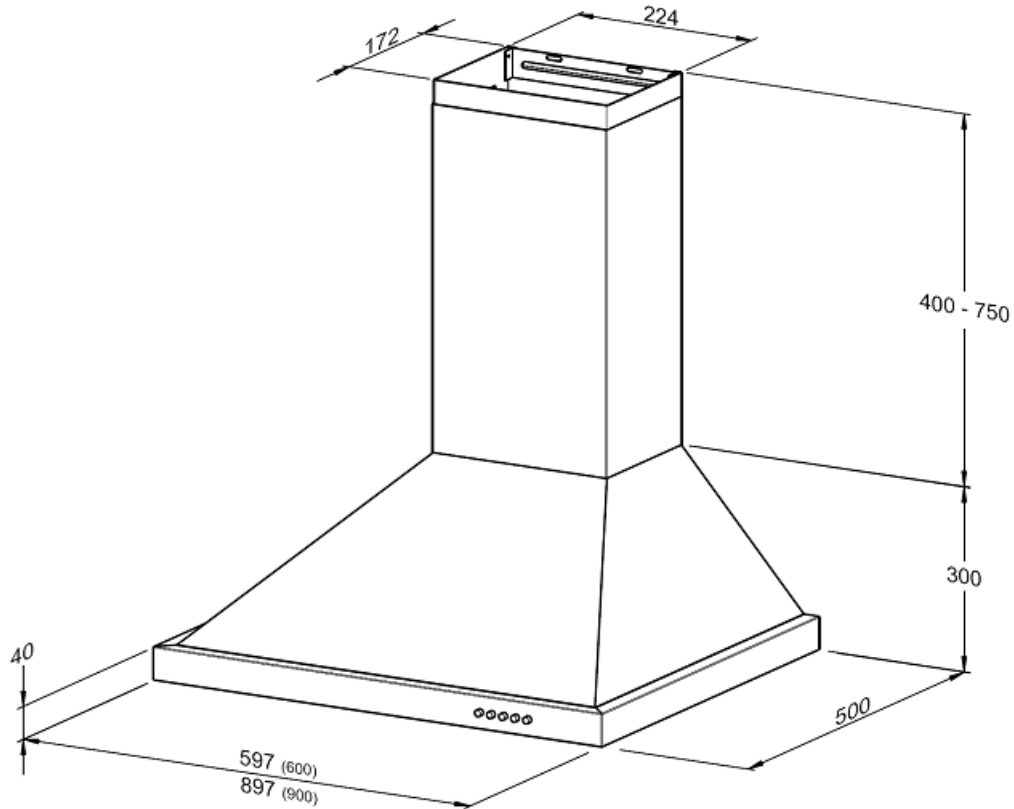
40-44 Mark Anthony Drive, Dandenong South VIC 3175 Ph: 1300 762 219 Fax: 03 9768 0838 Website: [www.arisit.com](http://www.arisit.com)

1A Howe Street, Newton, Auckland NZ 1145

Ph:(09) 306 1020 Fax: (09) 302 0077

# RHC 60 IX

## 60cm CANOPY HOOD



### Technical Specifications:

No: Programs	3
Extraction Rate	655 (m3/h)
Colour	Stainless Steel
Filter type	Aluminum
Control Type Button	Push control
Lights	2 x halogen lights

Noise Level	66DbA
Absorbed power	321w
Supply voltage	220-224v
Dimensions (W) x (H) x (D) (D)	697 x 40 + 300 +400 -750 x 500

WARNING: technical specifications and product sizes can be varied by the manufacturer, without notice. Cut outs for appliances should only be by physical product measurements. The above information is indicative only.

**Distributed by Arisit Pty Ltd**

40-44 Mark Anthony Drive, Dandenong South VIC 3175 Ph: 1300 762 219 Fax: 03 9768 0838 Website: [www.arisit.com](http://www.arisit.com)

1A Howe Street, Newton, Auckland NZ 1145

Ph:(09) 306 1020 Fax: (09) 302 0077