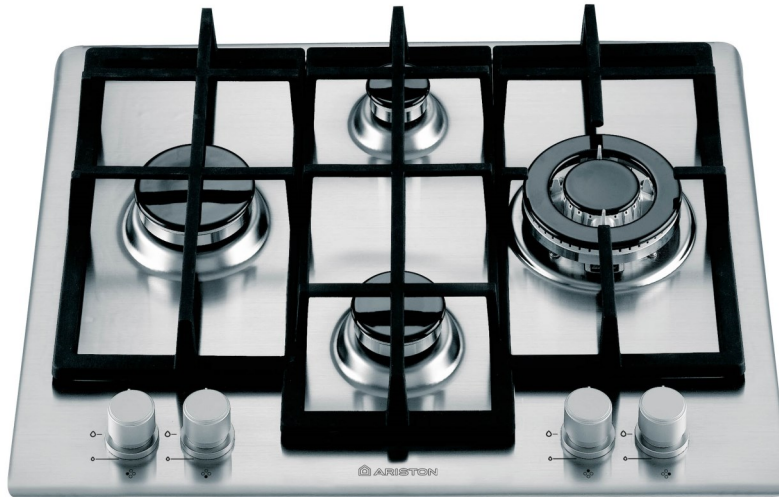


# PZ 640 TGH

## 60cm Gas Cooktop



 **ARISTON**



### 60cm Gas Cooktop

#### Features and Benefits:

<b>4 Gas Burners</b>	4 Gas burners including a Wok burner so there's one for every type of cooking
<b>Electronic Ignition</b>	A simple one touch ignition for easy lighting of burners
<b>Flame Failure Safety Device</b>	Automatically shuts off the gas if the flame goes out
<b>Cast Iron Trivets</b>	Long lasting and easy to clean
<b>Front Controls</b>	No reaching over hot pots and pans to turn on or control the temperature

WARNING: technical specifications and product sizes can be varied by the manufacturer, without notice. Cut outs for appliances should only be by physical product measurements. The above information is indicative only.

**Distributed by Arisit Pty Ltd**

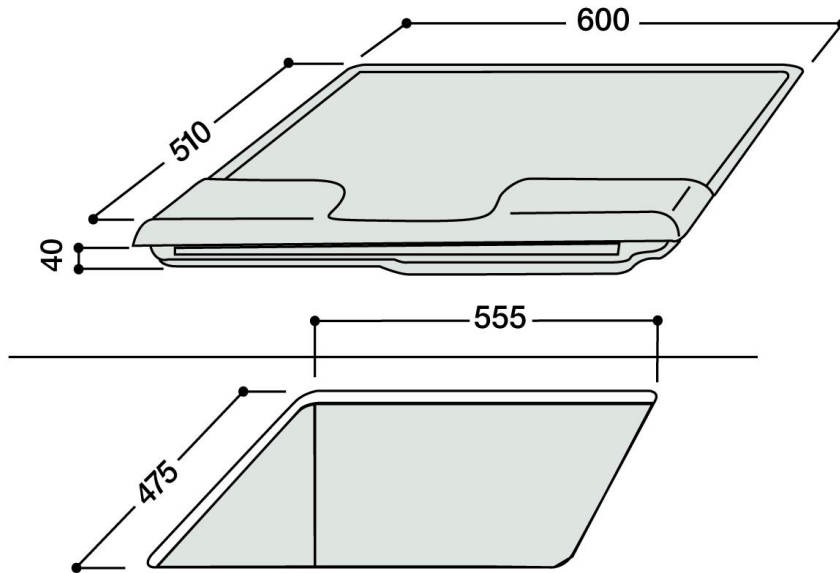
40-44 Mark Anthony Drive, Dandenong South VIC 3175 Ph: 1300 762 219 Fax: 03 9768 0838 Website: [www.arisit.com](http://www.arisit.com)

1A Howe Street, Newton, Auckland NZ 1145

Ph:(09) 306 1020 Fax: (09) 302 0077

# PZ 640 TGH

## 60cm Gas Cooktop



### Technical Specifications:

No. Burners	4
Trivets	Cast Iron
Ignition	Y
Flame Failure	Y
Inclusions	LPG Kit and NG Regulator
Hob Material	Stainless Steel
Connection	220-240V / 50/60Hz
Dimensions (W) x (H) x (D)	60 x 4 x 57

### ELEMENT CONFIGURATION

Middle Rear (W)	1000
Middle Front (W)	1650
Left (W)	2600
Right (W)	3600

WARNING: technical specifications and product sizes can be varied by the manufacturer, without notice. Cut outs for appliances should only be by physical product measurements. The above information is indicative only.

### Distributed by Arisit Pty Ltd

40-44 Mark Anthony Drive, Dandenong South VIC 3175 Ph: 1300 762 219 Fax: 03 9768 0838 Website: [www.arisit.com](http://www.arisit.com)

1A Howe Street, Newton, Auckland NZ 1145

Ph:(09) 306 1020 Fax: (09) 302 0077