

# PK 755 DGH

## 75cm Direct Flame Gas Cooktop



 **ARISTON**



## 75cm Direct Flame Gas Cooktop

### Features and Benefits:

<b>5 Direct Flame Gas Burners</b>	5 Gas burners using the Direct Flame technology. This is fast, efficient and easy to clean plus uses less energy than the traditional gas burners
<b>Electronic Ignition</b>	A simple one touch ignition for easy lighting of burners
<b>Flame Failure Safety Device</b>	Automatically shuts off the gas if the flame goes out
<b>Cast Iron Trivets and Burners</b>	Long lasting and easy to clean these can be either hand washed or put through the dishwasher
<b>Front Controls</b>	No reaching over hot pots and pans to turn on or control the temperature

#### Distributed by Arisit Pty Ltd

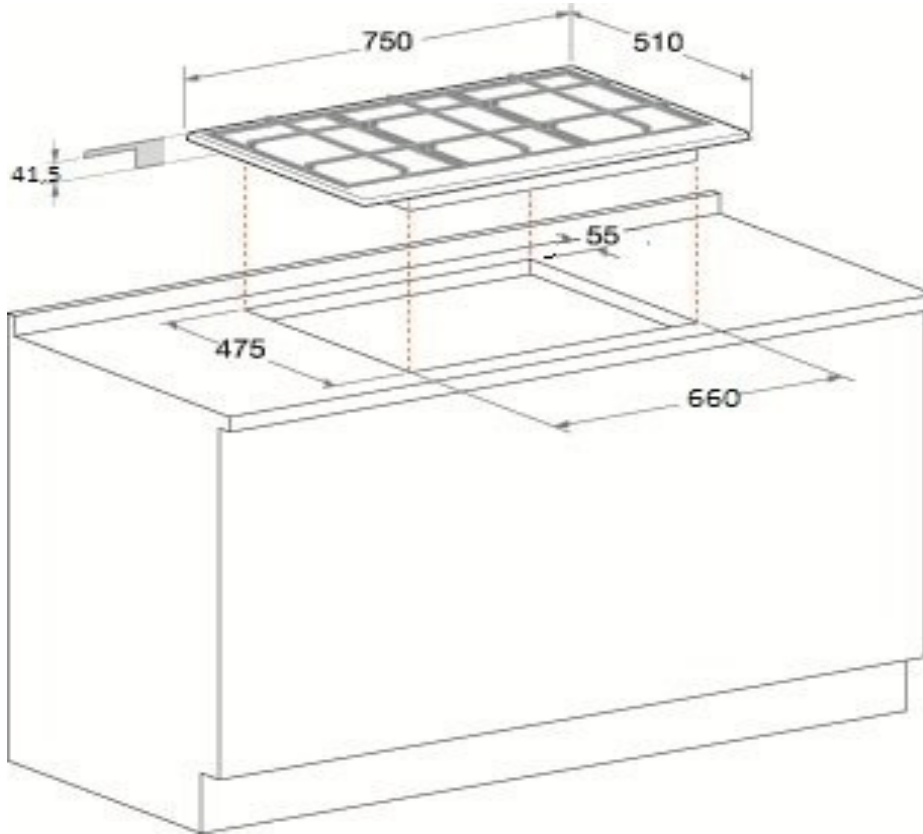
40-44 Mark Anthony Drive, Dandenong South VIC 3175 Ph: 1300 762 219 Fax: 03 9768 0838 Website: [www.arisit.com](http://www.arisit.com)

1A Howe Street, Newton, Auckland NZ 1145

Ph:(09) 306 1020 Fax: (09) 302 0077

# PK 755 DGH

## 75cm Direct Flame Gas Cooktop



### Technical Specifications:

No. Burners	5
Trivets and Burners	Cast Iron
Ignition	Y
Flame Failure	Y
Hob Material	Stainless Steel
Connection	220-240V / 50/60Hz
Dimensions (W) x (H) x (D)	75 x 4 x 52

ELEMENT CONFIGURATION	
Left Rear (W)	1900
Left Front (W)	1000
Right Rear (W)	1900
Right Front (W)	1000
Middle (W)	3000

WARNING: technical specifications and product sizes can be varied by the manufacturer, without notice. Cut outs for appliances should only be by physical product measurements. The above information is indicative only.

### Distributed by Arisit Pty Ltd

40-44 Mark Anthony Drive, Dandenong South VIC 3175 Ph: 1300 762 219 Fax: 03 9768 0838 Website: www.arisit.com

1A Howe Street, Newton, Auckland NZ 1145

Ph:(09) 306 1020

Fax: (09) 302 0077