

PK640R GH AUS

65cm Gas Cooktop



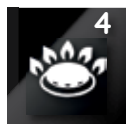
 **ARISTON**



TECHNICAL SPECIFICATIONS

Construction Type/Product Family	Built-In Gas
Trivets	Cast Iron
Location of Control Panel	Front
Electric Ignition	Yes
Flame Failure Device	Yes
Approval Certificates/Numbers	
Pan Supports	2
Gas Burners	4 Burners
Surface Material	Stainless Steel
Fuel Types	LPG and Natural Gas
Electrical Connection (V/Hz)	220-240V/50/60Hz
Location & Length of Cable	
Gas Power (kW)	8.85kW
Energy Input/Absorbed Power (Amps)	

FEATURES & BENEFITS



4 Gas Burners

4 gas burners including a dual Wok burner so that there is a burner for every type of cooking.



Flame Failure Safety Device

The cooktop will automatically switch off the gas supply if the flame goes out.



Double Ring-Double Regulation

This is an extremely versatile and powerful burner that can be used to cook easily with different sized pots and pans by adjusting the flame independently on each crown.



ELEMENT CONFIGURATION

Middle Rear Element: Auxiliary Cookware Size (mm) Output Power (MJ/h)	65 3.6
Left Middle Element: Fast Cookware Size Output Power (MJ/h)	100 7.8
Right Middle Element: Double Ring Cookware Size Output Power (MJ/h)	130 17
Front Middle Element: Semi Fast Cookware Size Output Power (MJ/h)	65 6

DIMENSIONS

Product Dimensions (W) x (H) x (D)	650 x 439 x 510
Net Weight/Gross Weight	12.5kg

DISTRIBUTED BY ARISIT PTY LTD

40-50 Mark Anthony Drive,
Dandenong South VIC 3175

Ph: 1300 762 219

Fax: 03 9768 0838

Website: www.arisit.com

1A Howe Street,
Newton, Auckland NZ 1145

Ph: (09) 306 1020

Website: www.arisit.com



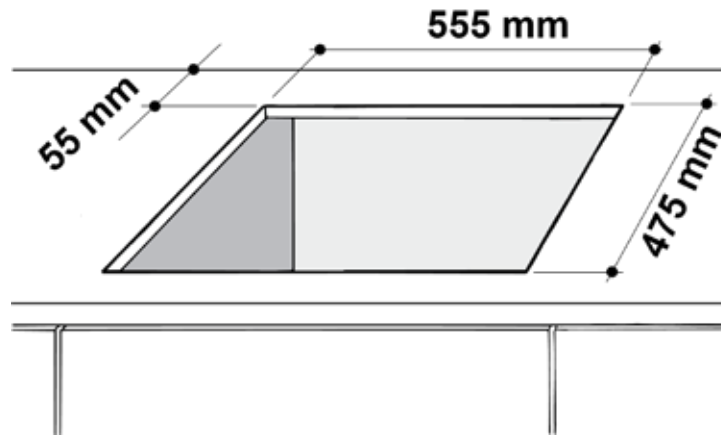
PK640R GH AUS

65cm Gas Cooktop

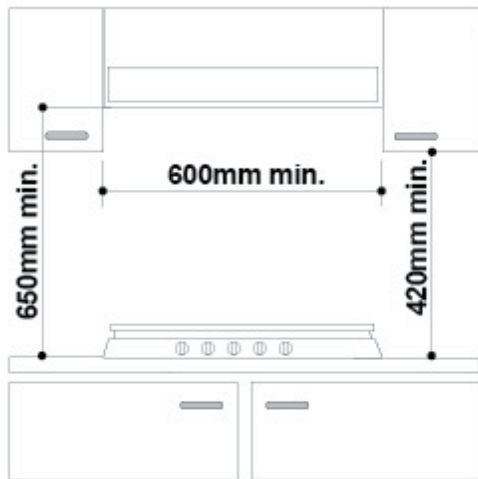


 ARISTON

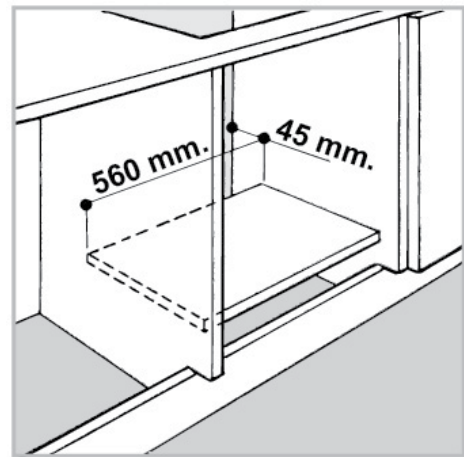
Cut Out & Clearance Dimensions



Clearances- Combustible Surfaces



Ventilation Requirements



WARNING: technical specifications and product sizes can be varied by the manufacturer, without notice. Cut outs for appliances should only be by physical product measurements. The above is indicative only.

DISTRIBUTED BY ARISIT PTY LTD

40-50 Mark Anthony Drive,
Dandenong South VIC 3175
Ph: 1300 762 219
Fax: 03 9768 0838
Website: www.arisit.com

1A Howe Street,
Newton, Auckland NZ 1145
Ph: (09) 306 1020
Website: www.arisit.com

