

PH960 TGH AUS

90cm Gas Cooktop



TECHNICAL SPECIFICATIONS

MAIN OVEN

Construction Type/Product Family	Built-In Gas
Trivets	Cast Iron
Location of Control Panel	Front Sides
Electric Ignition	Yes
Flame Failure Device	Yes
Approval Certificates/Numbers	CE
Pan Supports	4 Cast Iron Supports
Gas Burners	6 Burners
Surface Material	Stainless Steel
Fuel Types	LPG or Natural Gas
Electronic Connection (V/Hz)	220-230V/50/60Hz
Location & Length of Cable	100cm /
Gas Power (kW)	11.5
Energy Input/Absorbed Power (Amps)	Electric /42A
Country of Origin	Italy

FEATURES & BENEFITS



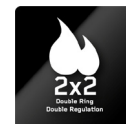
6 Gas Burners

6 gas burners including a Wok burner so that there is a burner for every type of cooking.



Flame Failure Safety Device

The cooktop will automatically switch off the gas supply if the flame goes out.



Double Face Burners

The most flexible burner that consists of two-oval shaped burners that can be rotated and used in two different ways, separately or together. Perfect for fish kettles, large rectangular trays or small pans.



Cast Iron Trivets

Cast iron trivets are long lasting and easy to clean.



5
YEAR
WARRANTY

HOB

Rear Left Element: Semi Fast Jet Size Hob Dimensions (mm) Output Power (W)	1.01 (NG) 0.64 (LPG) Min/Max 160 /200 4.5 (NG) 5.2 (LPG)
Rear Right Element: Auxiliary Jet Size Hob Dimensions (mm) Output Power (W)	1.01 (NG) 0.50 (LPG) Min/Max 160 /200 3.3 (NG) 3.0 (LPG)
Left Middle Element: Triple Ring Jet Size Hob Dimensions (mm) Output Power (W)	1.01 (NG) 0.80 (LPG) Min/Max 160/200 4.5 (NG) 5.2 (LPG)
Right Middle Element: Fast Jet Size Hob Dimensions (mm) Output Power (W)	1.01 (NG) 0.80 (LPG) Min/Max 160/200 4.5 (NG) 5.2 (LPG)
Left & Right Front Element: Double Face Jet Size Hob Dimensions (mm) Output Power (W)	1.01 (NG) 0.80 (LPG) Min/Max 240 /260 8.3 (NG) 8.5 (LPG)

DIMENSIONS

Product Dimensions (W) x (H) x (D)	860 x 52 x 510
Cut out Dimensions (W) x (D)	835 x 475
Net Weight/ Gross Weight	19kg

DISTRIBUTED BY ARISIT PTY LTD

40-50 Mark Anthony Drive,
Dandenong South VIC 3175

Ph: 1300 762 219

Fax: 03 9768 0838

Website: www.arisit.com

1A Howe Street,
Newton, Auckland NZ 1145

Ph: (09) 306 1020

Website: www.arisit.com

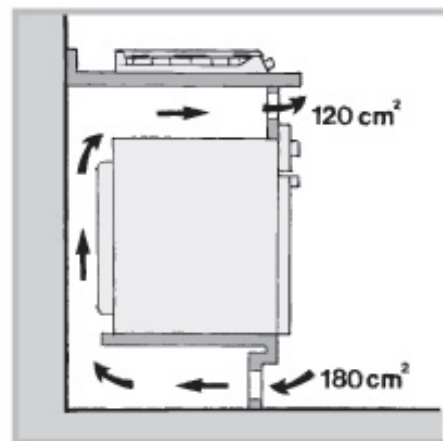
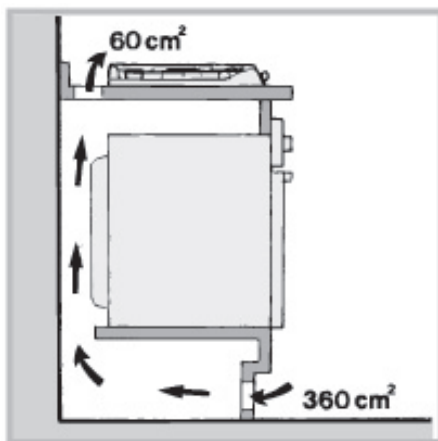
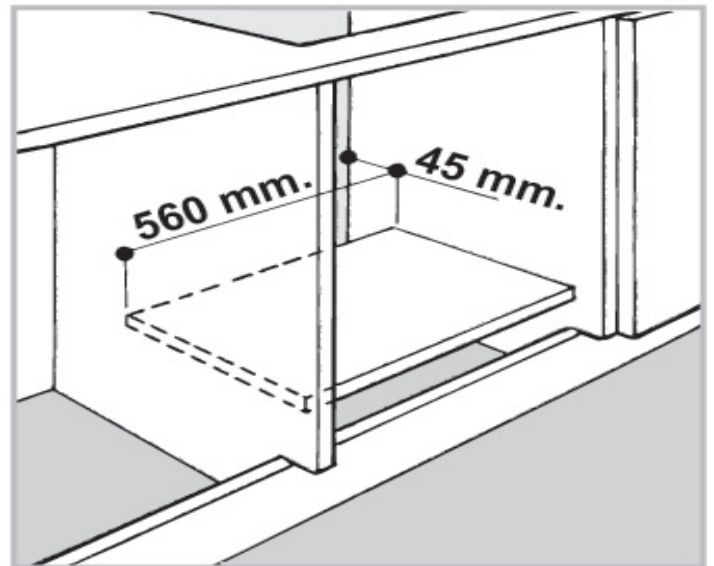
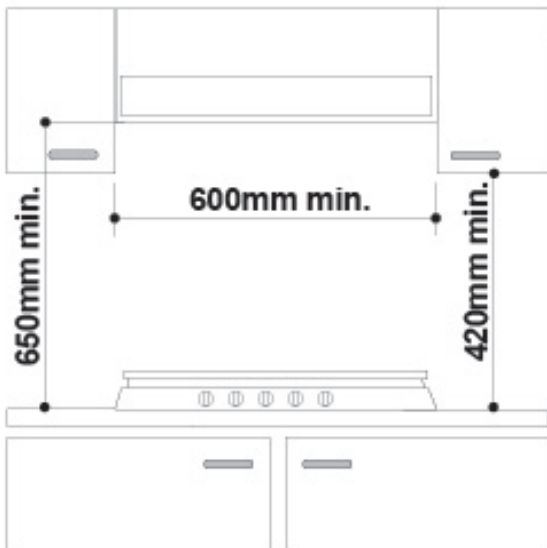
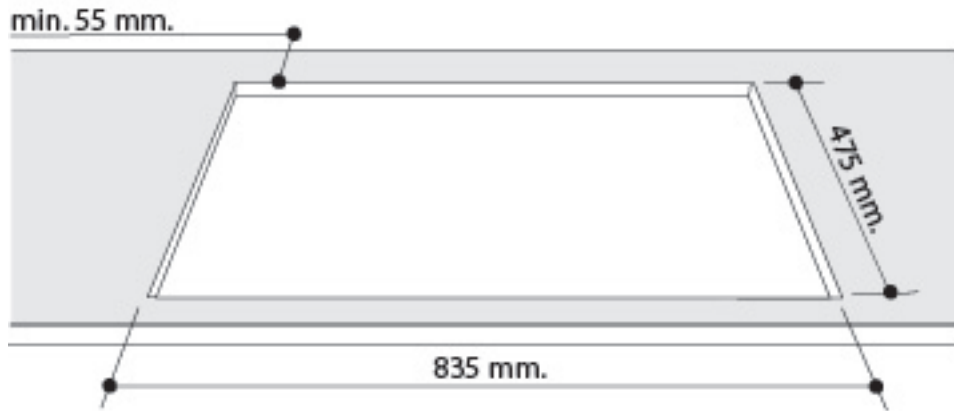


PH960 TGH AUS

90cm Gas Cooktop



 ARISTON



WARNING: technical specifications and product sizes can be varied by the manufacturer, without notice. Cut outs for appliances should only be by physical product measurements. The above is indicative only.

DISTRIBUTED BY ARISIT PTY LTD

40-50 Mark Anthony Drive,
Dandenong South VIC 3175
Ph: 1300 762 219
Fax: 03 9768 0838
Website: www.arisit.com

1A Howe Street,
Newton, Auckland NZ 1145
Ph: (09) 306 1020
Website: www.arisit.com

