

# PC 640 TX

## 60cm Gas Cooktop



### 60cm Gas Cooktop

#### Features and Benefits:

<b>4 Gas burners</b>	Four gas burners in a diamond configuration allowing greater flexibility of pot size
<b>1 Triple Ring burner</b>	Powerful burner which allows you to adjust the heat accordingly for wok cooking
<b>One-Hand electronic ignition</b>	Easy to use one hand ignition
<b>2 Enamel grids</b>	Two grids means that it is easy to clean
<b>Flame Failure cut-off device</b>	Safety cut off safety system especially for apartments

**Distributed by Arisit Pty Ltd**

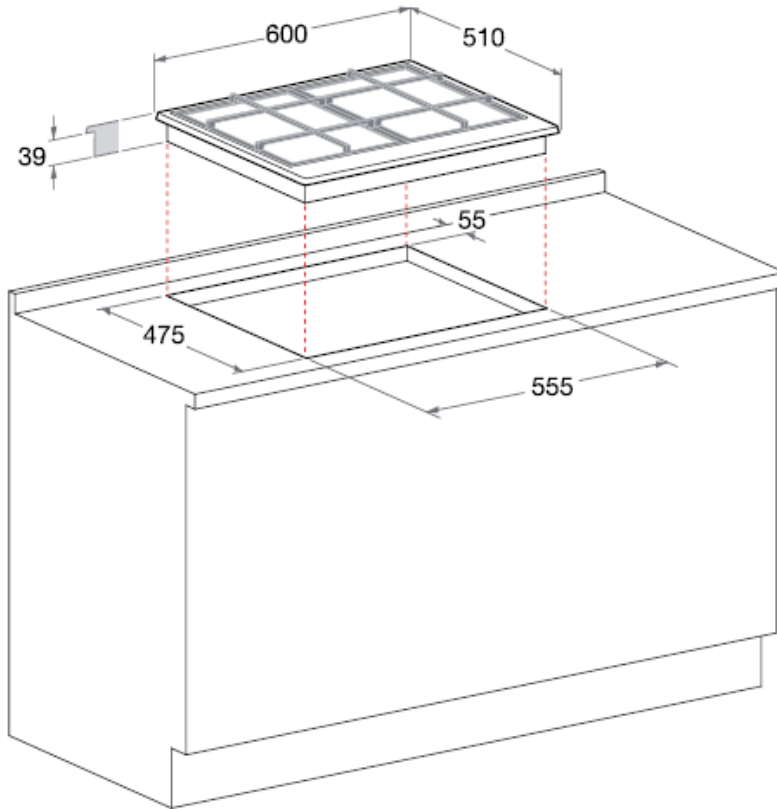
40-44 Mark Anthony Drive, Dandenong South VIC 3175 Ph: 1300 762 219 Fax: 03 9768 0838 Website: [www.arisit.com](http://www.arisit.com)

1A Howe Street, Newton, Auckland NZ 1145

Ph:(09) 306 1020 Fax: (09) 302 0077

# PC 640 TX

## 60cm Gas Cooktop



### Technical Specifications:

Technical	
Burners	4 including triple ring wok
Electronic ignition	Yes
Hob material	Stainless steel
Dimensions (W) x (H) x (D)	600 x 39 x 510

Element Configuration	
Middle Rear (W)	1000
Middle Front (W)	1650
Left (W)	2600
Right (W)	3600

WARNING: technical specifications and product sizes can be varied by the manufacturer, without notice. Cut outs for appliances should only be by physical product measurements. The above information is indicative only.

**Distributed by Arisit Pty Ltd**

40-44 Mark Anthony Drive, Dandenong South VIC 3175 Ph: 1300 762 219 Fax: 03 9768 0838 Website: [www.arisit.com](http://www.arisit.com)

1A Howe Street, Newton, Auckland NZ 1145

Ph:(09) 306 1020

Fax: (09) 302 0077