

PC 640 NTX

60cm Gas Cooktop



60cm Gas Cooktop

Features and Benefits:

4 Gas burners	Four gas burners in a diamond configuration allowing greater flexibility of pot size
1 Triple Ring burner	Powerful burner which allows you to adjust the heat accordingly for wok cooking
One-Hand electronic ignition	Easy to use one hand ignition
2 Enamel grids	Two grids means that it is easy to clean

Distributed by Arisit Pty Ltd

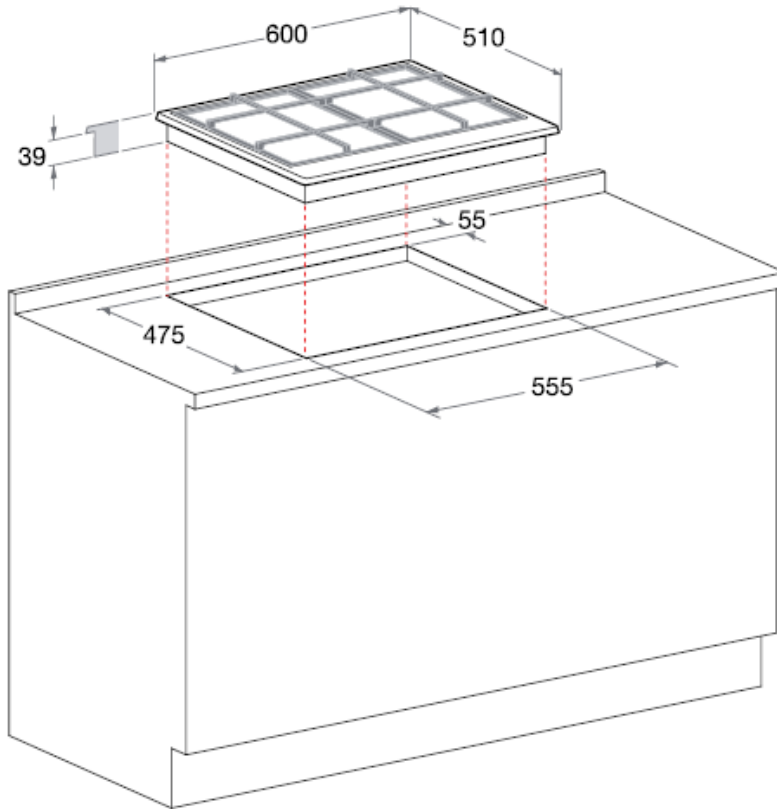
40-44 Mark Anthony Drive, Dandenong South VIC 3175 Ph: 1300 762 219 Fax: 03 9768 0838 Website: www.arisit.com

1A Howe Street, Newton, Auckland NZ 1145

Ph:(09) 306 1020 Fax: (09) 302 0077

PC 640 NTX

60cm Gas Cooktop



Technical Specifications:

Technical	
Burners	4 including triple ring wok
Electronic ignition	Yes
Hob material	Stainless steel
Dimensions (W) x (H) x (D)	600 x 39 x 510

Element Configuration	
Middle Rear (W)	1000
Middle Front (W)	1650
Left (W)	2600
Right (W)	3600

WARNING: technical specifications and product sizes can be varied by the manufacturer, without notice. Cut outs for appliances should only be by physical product measurements. The above information is indicative only.

Distributed by Arisit Pty Ltd

40-44 Mark Anthony Drive, Dandenong South VIC 3175 Ph: 1300 762 219 Fax: 03 9768 0838 Website: www.arisit.com

1A Howe Street, Newton, Auckland NZ 1145

Ph:(09) 306 1020

Fax: (09) 302 0077