

# OS 99D PIX

## 60cm Wall Oven



 **ARISTON**



### 60cm Large Capacity Oven - 4 Ovens in 1

#### Features and Benefits:

<b>10 Cooking Functions in the XL oven</b>	6 Universal programs and 4 Automatic programs makes this oven extremely versatile
<b>Split Cavity Option</b>	By putting the divider in place you can create 2 separate ovens. You can cook with 2 different temperatures and cooking functions at the same time. Perfect for the home baker or aspiring chef's alike. This is by far the most versatile oven on the market
<b>Pyrolytic Self Cleaning</b>	Located on the Sides and Back of the oven cavity, you only need to clean the door and base of the unit on a regular basis making maintenance extremely easy
<b>Large Capacity</b>	81L of space, with up to 4 levels of cooking at a time. And with no cross over of flavours or smells you can cook different dishes all at once
<b>Fully Programmable Timer</b>	You can program the oven to turn on and off at the desired times, or simply use it as a countdown timer
<b>Triple Glazed Door</b>	Cool touch door makes it safer for all the family in the kitchen. Less chance of burning yourself if the door is accidentally touched while the oven is on.

**Distributed by Arisit Pty Ltd**

40-44 Mark Anthony Drive, Dandenong South VIC 3175 Ph: 1300 762 219 Fax: 03 9768 0838 Website: [www.arisit.com](http://www.arisit.com)

1A Howe Street, Newton, Auckland NZ 1145

Ph:(09) 306 1020

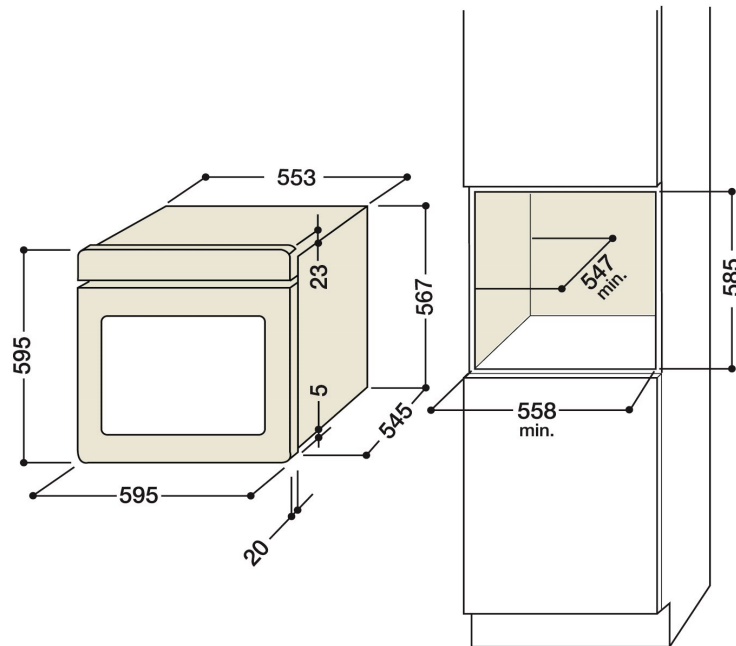
Fax: (09) 302 0077

# OS 99D PIX

## 60cm Wall Oven



ARISTON



### Technical Specifications:

No. Functions	10 Multifunction
Oven Capacity (Gross)	81L
Timer	Fully Programmable
No. Door Glass	3
Cleaning	Pyrolytic
Finish	Stainless Steel
Dimensions (W) x (H) x (D)	59.5 x 59.5 x 54.5

Technical	
Accessories	1 x tray, 3 x grids, 1 x divider
Cooling Fan	Y
Absorbed Power	3400W
Connection	220-240V / 50Hz / 14.8A

**Distributed by Arisit Pty Ltd**

WARNING: technical specifications and product sizes can be varied by the manufacturer, without notice. Cut outs for appliances should only be by physical product measurements. The above information is indicative only.

