

OS 89 CIX

60cm Wall Oven



60cm Large Capacity Wall Oven

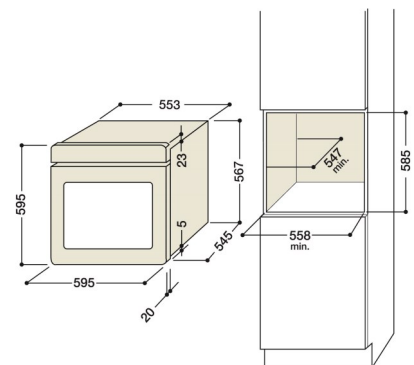
Features and Benefits:

10 Cooking Functions	6 Universal programs and 4 Automatic programs makes this oven extremely versatile
Self Cleaning Catalytic Liners	Located on the Sides and Back of the oven cavity, you only need to clean the door and base of the unit on a regular basis making maintenance extremely easy
Fully Programmable Timer	You can program the oven to turn on and off at the desired times, or simply use it as a countdown timer
Large Capacity	81L of space, with up to 4 levels of cooking at a time. And with no cross over of flavours or smells you can cook different dishes all at once
Triple Glazed Door	Cool touch door makes it safer for all the family in the kitchen. Less chance of burning

Technical Specifications:

No. Functions	10 Multifunction
Oven Capacity (Gross)	81L
Timer	Fully Programmable
No. Door Glass	3
Cleaning	Catalytic Direct
Finish	Stainless Steel
Dimensions (W) x (H) x (D)	59.5 x 59.5 x 54.5

Technical	
Accessories	1 x tray, 3 x grids
Cooling Fan	Y
Absorbed Power	2600W
Connection	220-240V / 50Hz / 14.8A



Distributed by Arisit Pty Ltd

40-44 Mark Anthony Drive, Dandenong South VIC 3175 Ph: 1300 762 219 Fax: 03 9768 0838 Website: www.arisit.com

1A Howe Street, Newton, Auckland NZ 1145

Ph:(09) 306 1020 Fax: (09) 302 0077

