

# OK897EL C X AUS

60cm Built In Oven



## 60cm 12 function built in oven

### Features and Benefits:

<b>12 Cooking Functions</b>	Multilevel, Barbeque, Gratin, Pizza, Low Temperature (Meat, Fish, Vegetables), Fast Cooking, Eco, Beef, Bread, Cakes
<b>Glass Inner Door</b>	No crevasses for food to get trapped in so it's easier to clean
<b>Large Capacity</b>	81L of space, with up to 4 levels of cooking at a time. And with no cross over of flavours or smells you can cook different dishes all at once
<b>Anti Touch Stainless Steel</b>	Easy clean stainless steel finish, and Fingerprint resistant finish
<b>Fully Programmable Clock and Timer</b>	Simply set and forget. The oven will turn on and/or off at the specified time.
<b>Self Cleaning Catalytic Liners</b>	Located on the Sides and Back of the oven cavity, you only need to clean the door and base of the unit on a regular basis making maintenance extremely easy.

**Distributed by Arisit Pty Ltd**

40-44 Mark Anthony Drive, Dandenong South VIC 3175 Ph: 1300 762 219 Fax: 03 9768 0838 Website: [www.arisit.com](http://www.arisit.com)

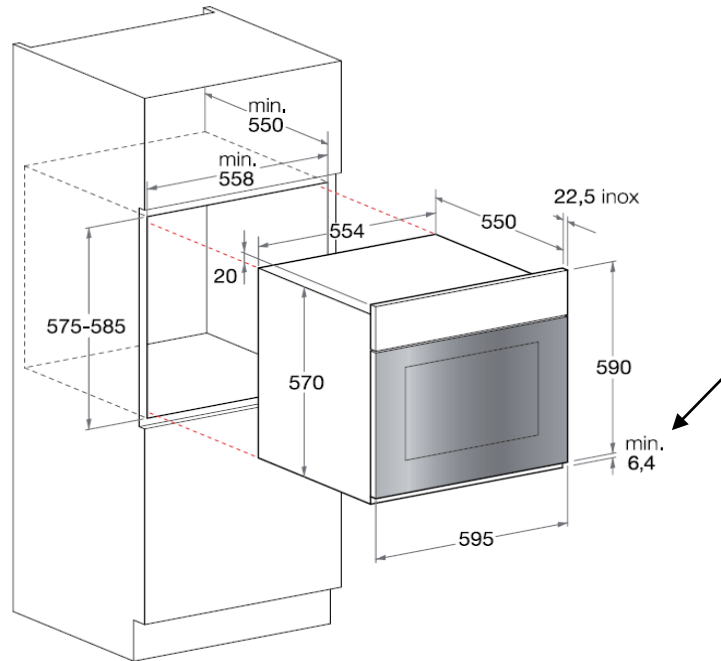
1A Howe Street, Newton, Auckland NZ 1145

Ph:(09) 306 1020

Fax: (09) 302 0077

# OK897EL C X AUS

## 60cm Built In Oven



### Technical Specifications:

No. Functions	12
Oven Capacity (Gross)	81L
Timer	Fully programmable—24hr
Controls	Electronic knobs and touch buttons
No. Door Glass	3
Cleaning	Catalytic
Finish	Stainless Steel and Black Glass
Dimensions (W) x (H) x (D)	595 x 596.4—597 x 550

Technical	
Accessories	1 x tray, 3 x grids
Cooling Fan	Y
Absorbed Power	2600W
Connection	220-240V/50Hz/11.3A

WARNING: technical specifications and product sizes can be varied by the manufacturer, without notice. Cut outs for appliances should only be by physical product measurements. The above information is indicative only.

#### Distributed by Arisit Pty Ltd

40-44 Mark Anthony Drive, Dandenong South VIC 3175 Ph: 1300 762 219 Fax: 03 9768 0838 Website: www.arisit.com

1A Howe Street, Newton, Auckland NZ 1145

Ph:(09) 306 1020 Fax: (09) 302 0077