

# OK892EL P X AUS S

60cm Built In Oven



## 60cm 10 function built in oven

### Features and Benefits:

<b>10 Cooking Functions</b>	Multilevel cooking with 10 Cooking options and 2 Automatic programs, cake & bread
<b>Telescopic Rails</b>	Makes moving and removing your food from the oven very easy. The rails simple slide so there is no need to lift your trays when cooking
<b>Glass Inner Door</b>	No crevasses for food to get trapped in so it's easier to clean
<b>Large Capacity</b>	81L of space, with up to 4 levels of cooking at a time. And with no cross over of flavours or smells you can cook different dishes all at once
<b>LED Lighting</b>	Stylish Led lights so you can see what your cooking
<b>Fully Programmable Clock and Timer</b>	Simply set and forget. The oven will turn on and/or off at the specified time.
<b>Pyrolytic Cleaning</b>	Pyrolytic oven turns food residue and grime into ash which can then be easily wiped clean using a damp cloth. No harsh chemicals or scrubbing required

#### Distributed by Arisit Pty Ltd

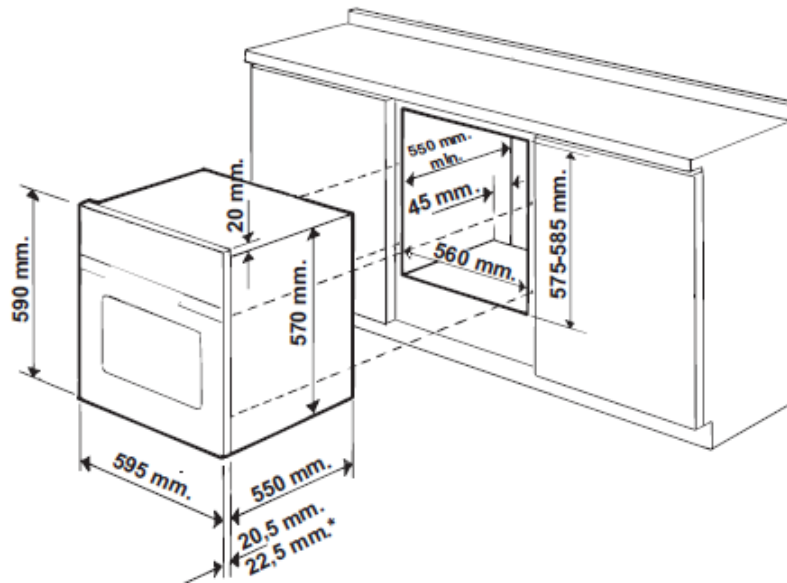
40-44 Mark Anthony Drive, Dandenong South VIC 3175 Ph: 1300 762 219 Fax: 03 9768 0838 Website: [www.arisit.com](http://www.arisit.com)

1A Howe Street, Newton, Auckland NZ 1145

Ph:(09) 306 1020 Fax: (09) 302 0077

# OK892EL P X AUS S

## 60cm Built In Oven



### Technical Specifications:

No. Functions	10
Oven Capacity (Gross)	81L
Timer	Fully programmable—24hr
Controls	Electronic knobs and touch buttons
No. Door Glass	3
Cleaning	Pyrolytic
Finish	Stainless Steel and Black Glass
Dimensions <b>built in</b> (W) x (H) x (D)	595 x 570/20 x 550

Technical	
Accessories	1 rack x 3 shelves x 1 tray
Cooling Fan	Y
Absorbed Power	3400W
Connection	220-240V/50Hz/11.3A

WARNING: technical specifications and product sizes can be varied by the manufacturer, without notice. Cut outs for appliances should only be by physical product measurements. The above information is indicative only.

#### Distributed by Arisit Pty Ltd

40-44 Mark Anthony Drive, Dandenong South VIC 3175 Ph: 1300 762 219 Fax: 03 9768 0838 Website: www.arisit.com

1A Howe Street, Newton, Auckland NZ 1145

Ph:(09) 306 1020 Fax: (09) 302 0077