

# NRA 640 C

## 60cm Ceramic Cooktop



 **ARISTON**



## 60cm Touch Control Ceramic Cooktop

---

### Features and Benefits:

<b>4 Ribbon Elements</b>	Ribbon elements create a more even heat than other types.
<b>Frameless Design</b>	Not only does it look good, but it's easier to clean without the usual steel lip on the edge of your hob trapping dirt and grime.
<b>Residual Heat Indicators</b>	As long as the element is hot this light will continue to glow. Less chance of burning yourself.
<b>Front Controls</b>	Easily change the settings without risk of burning yourself due to reaching over hot elements
<b>Touch Control</b>	Simple to use touch control gives you greater control over temperature

---

**Distributed by Arisit Pty Ltd**

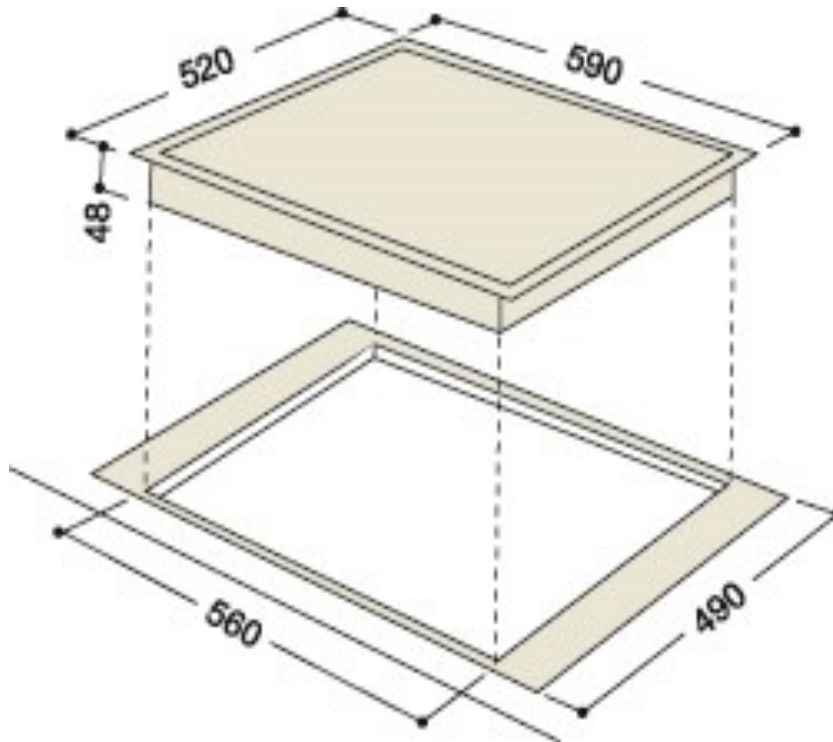
40-44 Mark Anthony Drive, Dandenong South VIC 3175 Ph: 1300 762 219 Fax: 03 9768 0838 Website: [www.arisit.com](http://www.arisit.com)

1A Howe Street, Newton, Auckland NZ 1145

Ph:(09) 306 1020 Fax: (09) 302 0077

# NRA 640 C

## 60cm Ceramic Cooktop



### Technical Specifications:

Cooking Zones	4
Controls	Touch Controls
Residual Heat Indicators	Y
Edge	Frameless
Cable Length	1.0M
Absorbed Power	29.1W
Connection	220/230/380/400V / 50Hz / 32A
Dimensions (W) x (H) x (D)	59 x 4.8 x 52

### ELEMENT CONFIGURATION

Front Left	1200W
Front Right	1800W
Rear Left	2300W
Rear Right	1400W

WARNING: technical specifications and product sizes can be varied by the manufacturer, without notice. Cut outs for appliances should only be by physical product measurements. The above information is indicative only.

### Distributed by Arisit Pty Ltd

40-44 Mark Anthony Drive, Dandenong South VIC 3175 Ph: 1300 762 219 Fax: 03 9768 0838 Website: www.arisit.com

1A Howe Street, Newton, Auckland NZ 1145

Ph:(09) 306 1020

Fax: (09) 302 0077