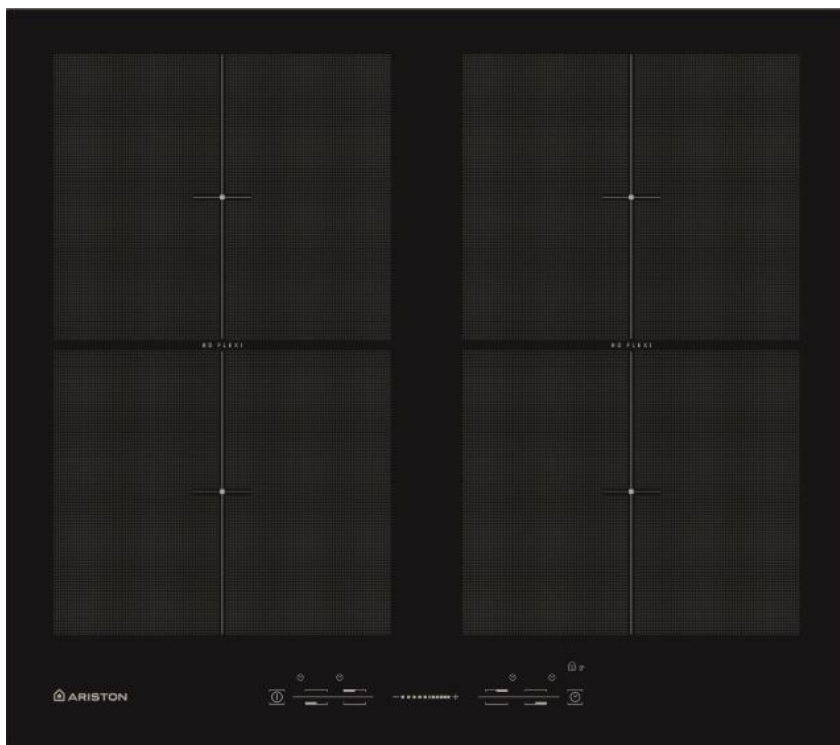


NIS 642 F B AUS

Flexi-zone Induction Cooktop



 **ARISTON**



Induction Cooktop

Features and Benefits:

4 Induction Cooking Surfaces	Induction cooking ensures quick and uniform results, easy cleaning and completely safe.
Induction with Dual Flexizone	Using the Flexizone you can transform two cooking areas to one large area allowing you to use large pots and pans
Double Bridge	You can use both Flexizones at the same time allowing the use of two large cooking area's at once
Frameless Design	Not only does it look good, but it's easier to clean without the usual steel lip on the edge of your hob trapping dirt and grime
Front Touch Control	Easy to reach and safe front touch controls
Child Safety Touch Control	To avoid programmed Touch Control commands being accidentally changed, or to stop children from activation them it is equipped with a safety lock
Pan Detection	The plate only activates when in contact with the pan, while the rest of the surface remains cold

Distributed by Arisit Pty Ltd

40-44 Mark Anthony Drive, Dandenong South VIC 3175

Ph: 1300 762 219

Fax: 03 9768 0838

Website: www.arisit.com

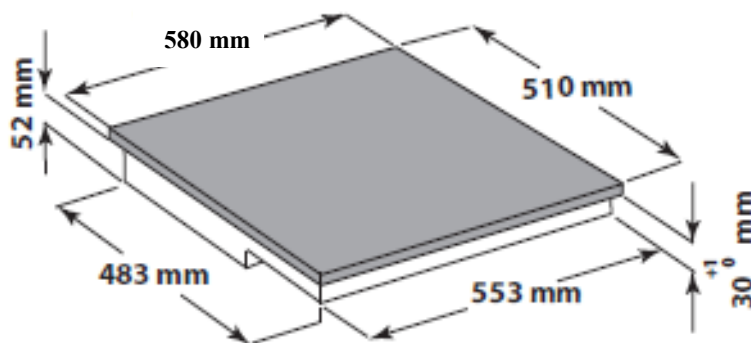
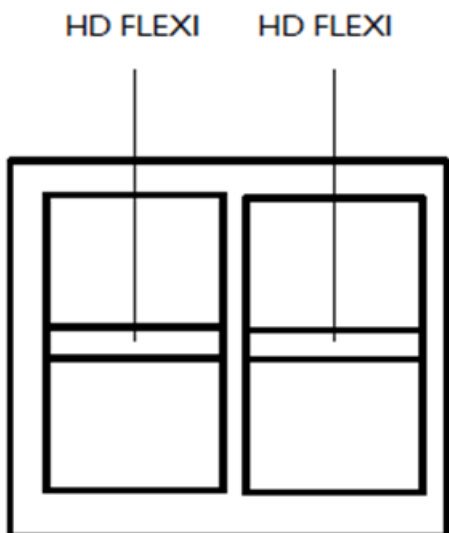
1A Howe Street, Newton, Auckland NZ 1145

Ph:(09) 306 1020

Fax: (09) 302 0077

NIS 642 F B AUS

Flexi-zone Induction Cooktop



Technical Specifications:

No. Functions	4
Touch Control	Yes
Material and colour	Black Ceramic Glass
Electric Wire Type	6 x 1.5 mm ²
Cable Length (M)	1 M
Built- in Hole (W) x (H) x (D)	553 x 52 x 483
Dimensions (W) x (D)	580 x 510

Technical	
Absorbed power	7200W
Connection	220-230V /380-400V/ 50Hz /31.3 A

WARNING: technical specifications and product sizes can be varied by the manufacturer, without notice. Cut outs for appliances should only be by physical product measurements. The above information is indicative only.

Distributed by Arisit Pty Ltd

40-44 Mark Anthony Drive, Dandenong South VIC 3175 Ph: 1300 762 219 Fax: 03 9768 0838 Website: www.arisit.com

1A Howe Street, Newton, Auckland NZ 1145

Ph:(09) 306 1020 Fax: (09) 302 0077