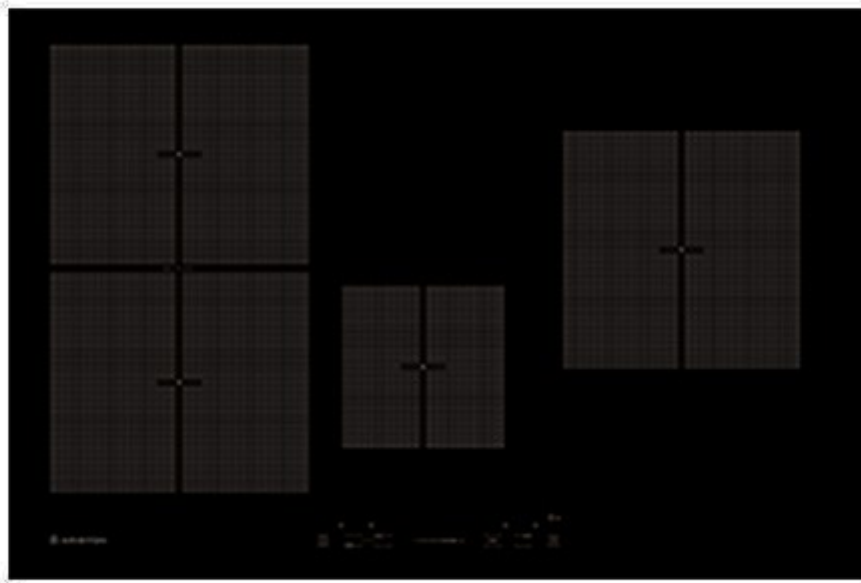


NIS 841 FB AUS

80cm Flexizone Induction Hob



 **ARISTON**



80cm Induction Hob

Features and Benefits:

4 Induction Elements with 1 Flexizone	Quick heat up and consistent temperature makes Induction cooking the best choice, especially when cooking delicate foods such as sauces or chocolate
Induction with Flexizone	Using the Flexizone you can transform two cooking areas to one large area allowing you to use large pots and pans
Frameless Design	Not only does it look good, but it's easier to clean without the usual steel lip on the front edge of your hob trapping dirt and grime
Artemis slider	An easy to use slider that indicates the level of cooking power.
Instant Temperature Control	Within seconds of changing the settings, your induction cooktop will react. This minimises the chances of burning food or overcooking dishes

Distributed by Arisit Pty Ltd

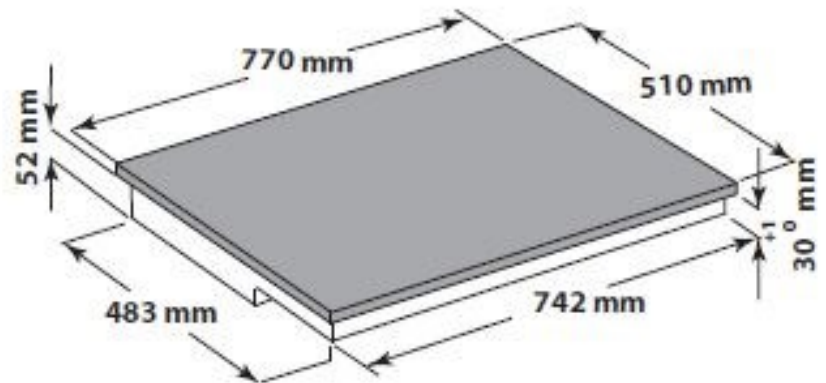
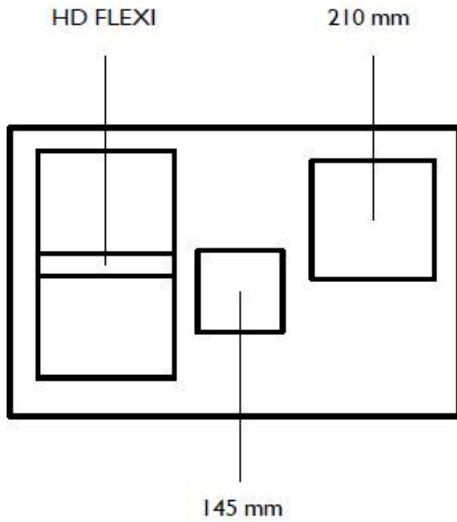
40-44 Mark Anthony Drive, Dandenong South VIC 3175 Ph: 1300 762 219 Fax: 03 9768 0838 Website: www.arisit.com

1A Howe Street, Newton, Auckland NZ 1145

Ph:(09) 306 1020 Fax: (09) 302 0077

NIS 841 FB AUS

80cm Flexizone Induction Hob



Technical Specifications:

Cooking Zones	4 with Flexizone
Controls	Slider
Residual Heat Indicators	Y
Edge	Frameless
Cable Length	1.0M
Built-in Hole (W) x (H) x (D)	742 x 52 x 483
Dimensions (W) x (H) x (D)	770 x 52 x 510

ELEMENT CONFIGURATION	
Absorbed Power	7200W
Connection	220-240/380-400V / 50Hz / 32A

WARNING: technical specifications and product sizes can be varied by the manufacturer, without notice. Cut outs for appliances should only be by physical product measurements. The above information is indicative only.

Distributed by Arisit Pty Ltd

40-44 Mark Anthony Drive, Dandenong South VIC 3175 Ph: 1300 762 219 Fax: 03 9768 0838 Website: www.arisit.com
 1A Howe Street, Newton, Auckland NZ 1145 Ph:(09) 306 1020 Fax: (09) 302 0077