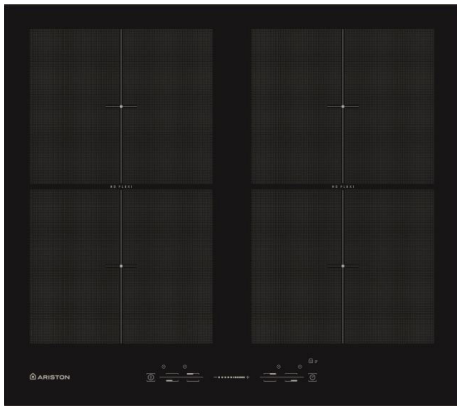


NIS 642 FB AUS

60cm Induction Cooktop



ARISTON



TECHNICAL SPECIFICATIONS

| | |
|--|---|
| Construction Type/Product Family | Built-In Induction |
| Engery Input/Absorbed Power (Amps) | Electric/31.3A |
| Total Usable Cooking Zones | 4 + 2 Flexi Zones |
| Residual Heat Indicator | Yes |
| Location of Control Panel | Front Centre |
| Location & Length of Power Cable | (LHS) 415mm - (RHS) 160mm (Top) 80mm / 100cm |
| Electrical Connect Requirements (V/Hz) | 220-230V/380-400V/50Hz |
| Surface Material | Black Cermaic Glass |
| Power Levels | 9 + Boost |
| Country of Origin | Italy |

FEATURES & BENEFITS



Induction Cooktop Benefits

Quick heat up and consistent temperature makes induction cooking the best choice, especially when cooking delicate foods such as; sauces and chocolate.



Induction Flexizone + Double Bridge

Using the Flexizone you can transform two cooking areas to one large area allowing you to use large pots and pans. The double bridge feature allows you to use both Flexi Zones at the same time.



Easy to Clean

Not only does it look good, but it's easier to clean without the usual steel lip on the front edge of your hob trapping dirt and grime.



Child Lock

With the use of the control panel lock, you can prevent any accidental activation incidents.



Features

Deactivation of Zones, Timer, Automatic Function, Residual Heat Indicator, Pot Detection, Fast Boil and Power Management.



ZONES

| | |
|---|--------------------------------------|
| Front Left Zone Zone Size, Cookware Size- Min,Max/Flexi: Power Output | 180mm, 140mm, 300mm 1750 / 2200 |
| Front Right Zone Zone Size, Cookware Size-Min,Max/Flexi: Power Output | 190mm, 140mm, 300mm 1750 / 2200 |
| Rear Left Zone Zone Size, Cookware Size-Min,Max/Flexi: Power Output | 180mm x 140mm x 180mm 1750 / 2200 |
| Rear Right Zone Zone Size, Cookware Size-Min,Max/Flexi: Power Output | 180mm x 140mm x 180mm 1750 / 2200 |

DIMENSIONS

| | |
|--|-----------------|
| Product Dimensions (W) x (D) | 580 x 510 |
| Package Dimensions (W) x (H) x (D) | 590 x 140 x 670 |
| Built-In Hole Dimensions (W) x (H) x (D) | 553 x 52 x 483 |
| Net Weight/Gross Weight | 13.5 |

DISTRIBUTED BY ARISIT PTY LTD

40-50 Mark Anthony Drive,
Dandenong South VIC 3175
Ph: 1300 762 219
Fax: 03 9768 0838
Website: www.arisit.com

1A Howe Street,
Newton, Auckland NZ 1145
Ph: (09) 306 1020
Website: www.arisit.com



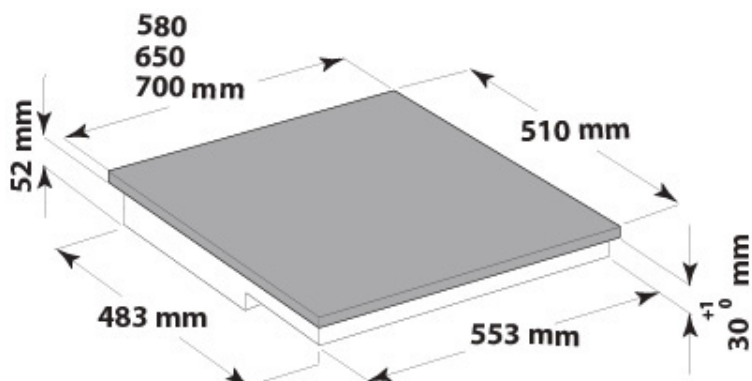
NIS 640 FB AUS

60cm Induction Cooktop

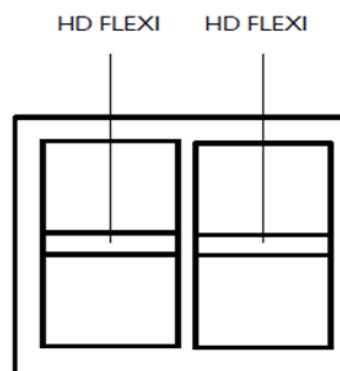


 **ARISTON**

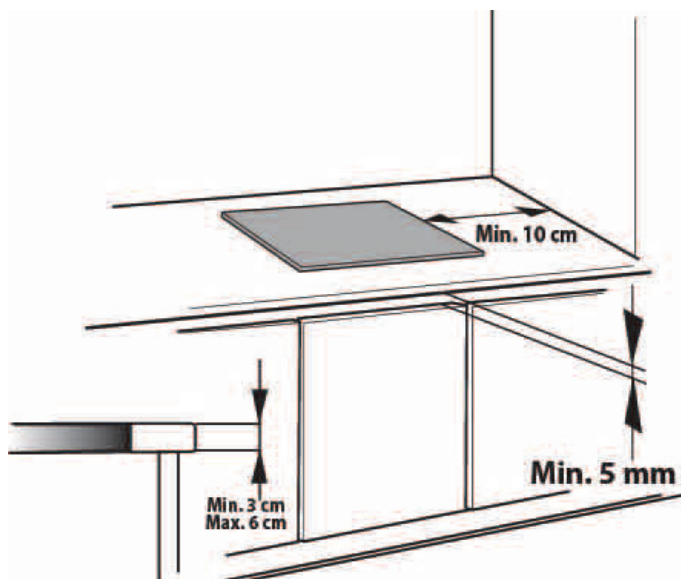
Product Dimensions



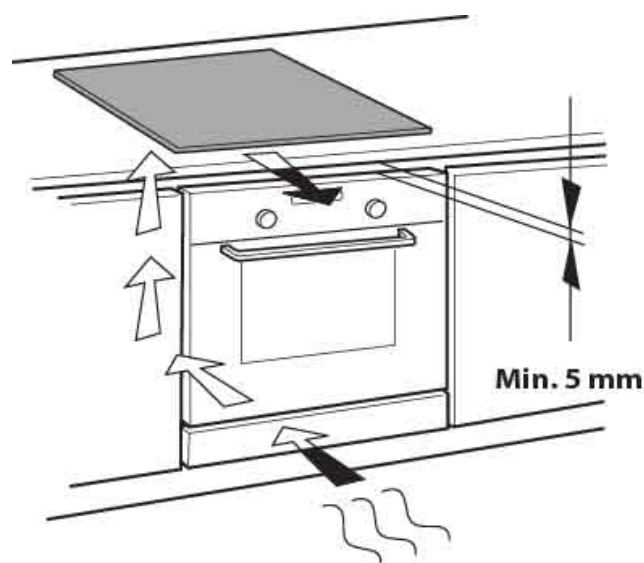
Zone Configuration



Clearance Requirement & Benchtop Thickness



Ventilation Requirements



WARNING: technical specifications and product sizes can be varied by the manufacturer, without notice. Cut outs for appliances should only be by physical product measurements. The above is indicative only.

DISTRIBUTED BY ARISIT PTY LTD

40-50 Mark Anthony Drive,
Dandenong South VIC 3175
Ph: 1300 762 219
Fax: 03 9768 0838
Website: www.arisit.com

1A Howe Street,
Newton, Auckland NZ 1145
Ph: (09) 306 1020
Website: www.arisit.com

