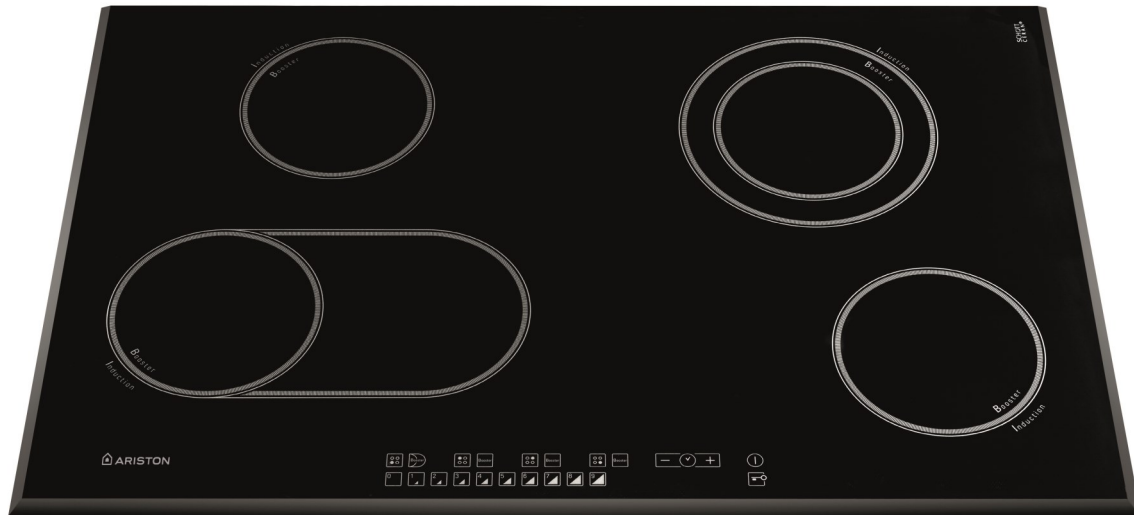


NIO 844DO B

80cm Induction Hob



ARISTON



80cm Induction Hob

Features and Benefits:

4 Induction Elements	Quick heat up and consistent temperature makes Induction cooking the best choice, especially when cooking delicate foods such as sauces or chocolate
Semi Frameless Design	Not only does it look good, but it's easier to clean without the usual steel lip on the front edge of your hob trapping dirt and grime
Residual Heat Indicators	As long as the element is hot this light will continue to glow. Less chance of burning yourself.
Cool Touch Surface	Because Induction cooking heats the pots and pans rather than the element itself the hob surface remains cool eliminating the chance of burning yourself and makes it easier to clean as food residue doesn't cook on
Touch Control	Simple to use touch control gives you greater control over temperature
Instant Temperature Control	Within seconds of changing the settings, your induction cooktop will react. This minimises the chances of burning food or overcooking dishes

Distributed by Arisit Pty Ltd

40-44 Mark Anthony Drive, Dandenong South VIC 3175 Ph: 1300 762 219 Fax: 03 9768 0838 Website: www.arisit.com

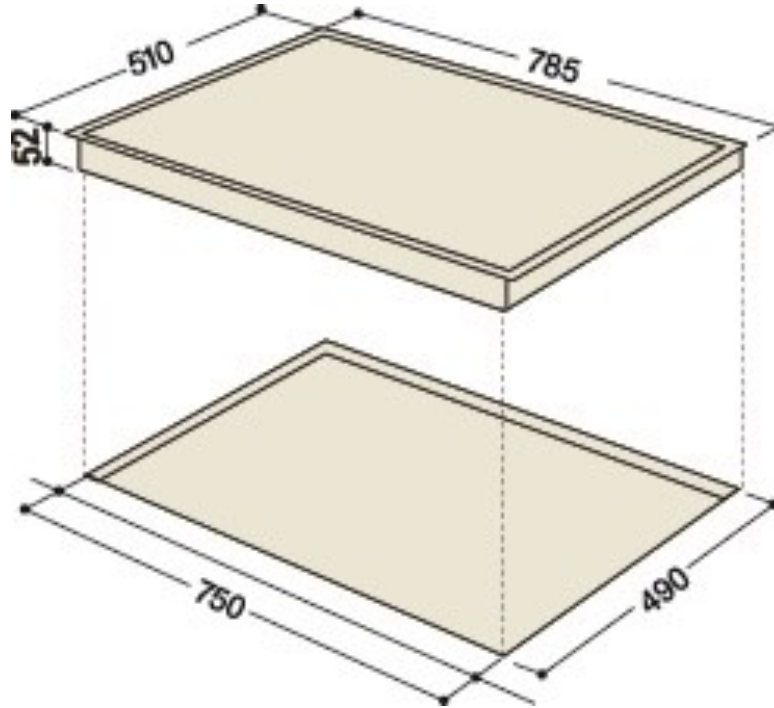
1A Howe Street, Newton, Auckland NZ 1145

Ph:(09) 306 1020

Fax: (09) 302 0077

NIO 844DO B

80cm Induction Hob



Technical Specifications:

Cooking Zones	4
Controls	Touch Controls
Residual Heat Indicators	Y
Edge	Partial Stainless Steel
Cable Length	1.0M
Timer	Y - 4
Booster	Y - 2
Dimensions (W) x (H) x (D)	785 x 510 x 52

ELEMENT CONFIGURATION

Absorbed Power	7200W
Connection	220-240/380-400V / 50Hz / 31.3A
Front Left	2200W (3000 WITH BOOST)
Front Right	1400 W
Rear Left	1400W (2000 WITH BOOST)
Rear Right	2200W-1600W

WARNING: technical specifications and product sizes can be varied by the manufacturer, without notice. Cut outs for appliances should only be by physical product measurements. The above information is indicative only.

Distributed by Arisit Pty Ltd

40-44 Mark Anthony Drive, Dandenong South VIC 3175 Ph: 1300 762 219 Fax: 03 9768 0838 Website: www.arisit.com
 1A Howe Street, Newton, Auckland NZ 1145 Ph:(09) 306 1020 Fax: (09) 302 0077