

MWA 122.1 X

Microwave Inbuilt with a trim kit



Microwave

Features and Benefits:

20L Capacity	20L Capacity allows you to cook with ease
3 Cooking combinations	3 Cooking combinations, Grill, Microwave and Microwave grill to suit your cooking needs
Automatic cool down	Automatic cool down cools down your unit after each use
Electronic Programmer	Electronic programmer with an end of cooking signal so you know when your meal or snack is ready

Distributed by Arisit Pty Ltd

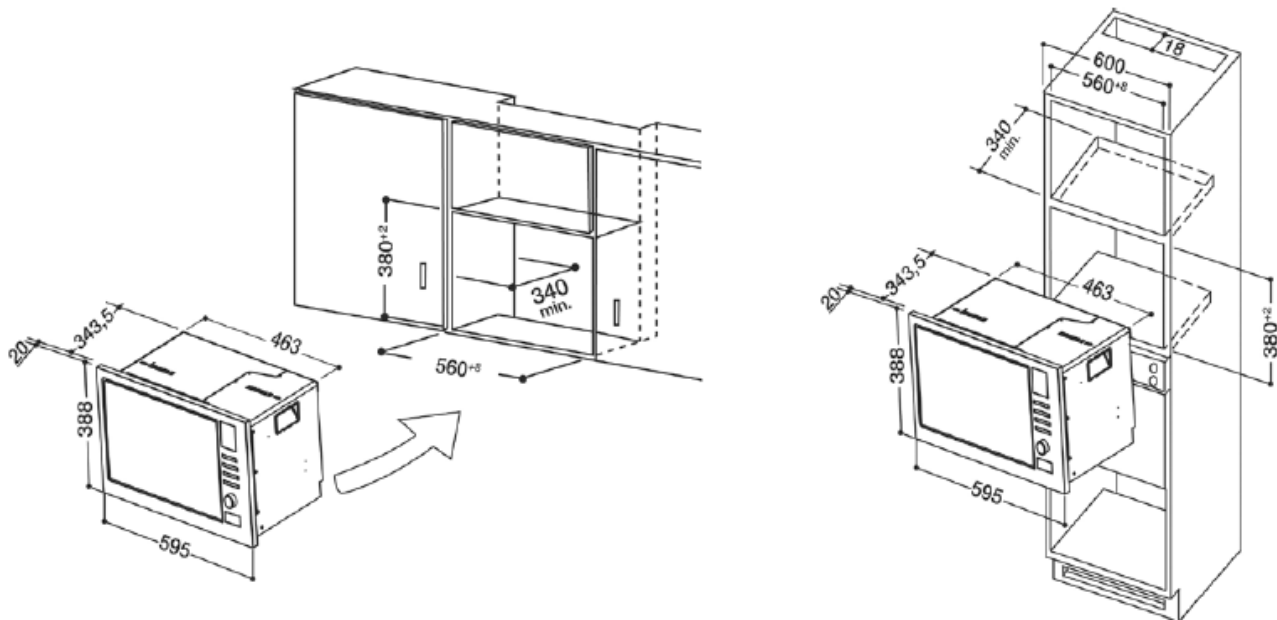
40-44 Mark Anthony Drive, Dandenong South VIC 3175 Ph: 1300 762 219 Fax: 03 9768 0838 Website: www.arisit.com

1A Howe Street, Newton, Auckland NZ 1145

Ph:(09) 306 1020 Fax: (09) 302 0077

MWA 122.1 X

Microwave Inbuilt with a trim kit



Technical Specifications:

No: Programs	3	Supply Voltage	220-240V
Colour	Stainless Steel	Absorbed Power	1200w
Control Type Button	Electronic	Dimensions H x W x D	388 x 595 x 343.5
Automatic cool down	Y		
Capacity	20L & 24cm tunable But 30cm capacity		
Child Safety	Y		

WARNING: technical specifications and product sizes can be varied by the manufacturer, without notice. Cut outs for appliances should only be by physical product measurements. The above information is indicative only.

Distributed by Arisit Pty Ltd

40-44 Mark Anthony Drive, Dandenong South VIC 3175 Ph: 1300 762 219 Fax: 03 9768 0838 Website: www.arisit.com

1A Howe Street, Newton, Auckland NZ 1145

Ph:(09) 306 1020

Fax: (09) 302 0077