

# MP796 IX AUS

45cm Combi-microwave Oven  
with Dynamic Crisp



 **ARISTON**



## TECHNICAL SPECIFICATIONS

Construction Type/Product Family	Microwave/Combi
Main colour	White
Display type	Digital
Control Type	Electronic buttons
Turntable	Yes
Turntable diameter (mm)	360
Capacity	40 litres
Timer	Digital
Door opening	Handle
Multiwaves technology	Yes
Dynamic crisp	Yes
Dynamic steam	Yes
Dynamic Air	Yes
Dynamic Defrost	Yes
Grill grid	Yes
Reheat	Yes
Voltage	240 V
Frequency	50 Hz
Current	16A
Connection rating (W)	2800W
Grill power (W)	1600W
Maximum microwave power (W)	900W

## FEATURES & BENEFITS



### Dynamic crisp

The Crisp plate, thanks to Multiwaves technology and the grill, quickly reaches the most suitable temperature for browning and making the food crispy, even on the bottom.



### Dynamic defrost

This is the ideal system for defrosting food in an instant, almost immediately, thus preserving all the nutrients and preventing microbiological alterations.



### Dynamic steam

Simply place the food in the steam pot accessory and select the cooking time. When the water begins to boil, a sensor constantly measures the degree of humidity in the food to allow the delicate steaming process.



### Multiwave technology

Consistent and even cooking throughout your dish. Innovative technology perfects the microwave distribution inside the oven.



**5 YEAR WARRANTY** on parts and labour.

## DIMENSIONS

Product Dimensions (W) x (H) x (D)	595 x 455 x 545
Packaged Dimensions (W) x (H) x (D)	
Net Weight/Gross Weight	35/37 kg

[www.ariston.com.au](http://www.ariston.com.au)

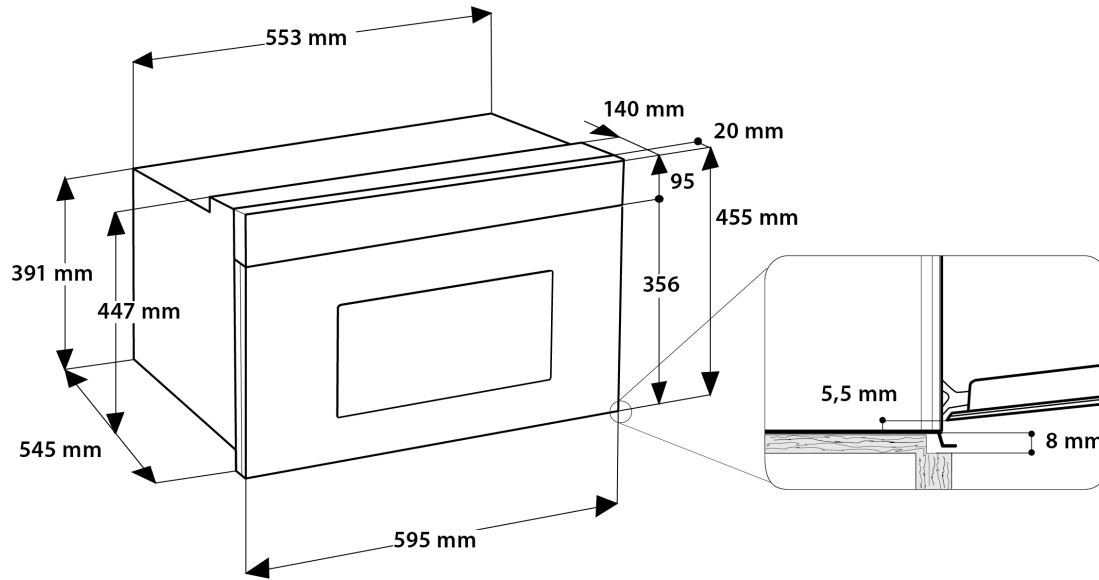
DISTRIBUTED BY ARISIT PTY LTD  
40-50 Mark Anthony Drive,  
Dandenong South VIC 3175  
Ph: 1300 762 219  
Fax: 03 9768 0838  
Website: [www.arisit.com](http://www.arisit.com)

1A Howe Street,  
Newton, Auckland NZ 1145  
Ph: (09) 306 1020  
Website: [www.arisit.com](http://www.arisit.com)



# MP796 IX AUS

45cm Combi-microwave Oven  
with Dynamic Crisp



**WARNING:** Technical specifications and product sizes can be varied by the manufacturer, without notice. Cut outs for appliances should only be by physical product measurements. The above is indicative only.

[www.ariston.com.au](http://www.ariston.com.au)

DISTRIBUTED BY ARISIT PTY LTD  
40-50 Mark Anthony Drive,  
Dandenong South VIC 3175  
Ph: 1300 762 219  
Fax: 03 9768 0838  
Website: [www.arisit.com](http://www.arisit.com)

1A Howe Street,  
Newton, Auckland NZ 1145  
Ph: (09) 306 1020  
Website: [www.arisit.com](http://www.arisit.com)

