

# MN313 IX A

Microwave Oven with Grill



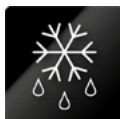
## TECHNICAL SPECIFICATIONS

Construction Type/Product Family	Microwave & Grill
Main colour	Stainless steel
Display type	Digital
Control Type	Electronic buttons
Turntable	Yes
Turntable diameter (mm)	250
Capacity	22 litres
Timer	Electronic
Door opening	Button
Multiwaves technology	Yes
Dynamic crisp	No
Dynamic steam	No
Dynamic Air	No
Dynamic Defrost	Yes
Grill grid	Yes
Reheat	No
Ventilation	Front
Voltage	230 V
Frequency	50 Hz
Current	10A
Connection rating (W)	1900W
Grill power (W)	700W
Maximum microwave power (W)	750W

## FEATURES & BENEFITS



**Grill**  
700W grill to toast meals evenly.



**Dynamic defrost**  
This is the ideal system for defrosting food in an instant, almost immediately, thus preserving all the nutrients and preventing microbiological alterations.



**Multiwave technology**  
Consistent and even cooking throughout your dish. Innovative technology perfects the microwave distribution inside the oven.



**5 YEAR WARRANTY** on parts and labour.

## DIMENSIONS

Product Dimensions (W) x (H) x (D)	595 x 382 x 296
Packaged Dimensions (W) x (H) x (D)	
Net Weight/Gross Weight	21/21.5 kg

[www.ariston.com.au](http://www.ariston.com.au)

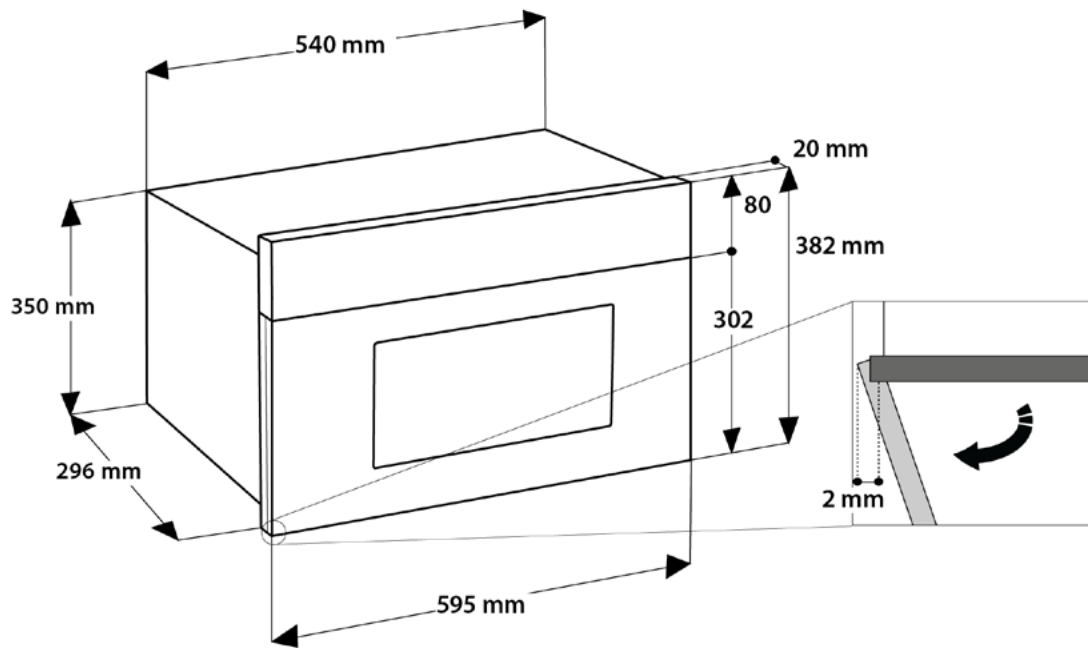
DISTRIBUTED BY ARISIT PTY LTD  
40-50 Mark Anthony Drive,  
Dandenong South VIC 3175  
Ph: 1300 762 219  
Fax: 03 9768 0838  
Website: [www.arisit.com](http://www.arisit.com)

1A Howe Street,  
Newton, Auckland NZ 1145  
Ph: (09) 306 1020  
Website: [www.arisit.com](http://www.arisit.com)



# MN313 IX A

Microwave Oven with Grill



**WARNING:** Technical specifications and product sizes can be varied by the manufacturer, without notice. Cut outs for appliances should only be by physical product measurements. The above is indicative only.

[www.ariston.com.au](http://www.ariston.com.au)

DISTRIBUTED BY ARISIT PTY LTD  
40-50 Mark Anthony Drive,  
Dandenong South VIC 3175  
Ph: 1300 762 219  
Fax: 03 9768 0838  
Website: [www.arisit.com](http://www.arisit.com)

1A Howe Street,  
Newton, Auckland NZ 1145  
Ph: (09) 306 1020  
Website: [www.arisit.com](http://www.arisit.com)

