

MN313 IX A

Microwave Oven with Grill



TECHNICAL SPECIFICATIONS

Construction Type/Product Family	Microwave & Grill
Main colour	Stainless steel
Display type	Digital
Control Type	Electronic buttons
Turntable	Yes
Turntable diameter (mm)	250
Capacity	22 litres
Timer	Electronic
Door opening	Button
Multiwaves technology	Yes
Dynamic crisp	No
Dynamic steam	No
Dynamic Air	No
Dynamic Defrost	Yes
Grill grid	Yes
Reheat	No
Ventilation	Front
Voltage	230 V
Frequency	50 Hz
Current	10A
Connection rating (W)	1900W
Grill power (W)	700W
Maximum microwave power (W)	7500W

FEATURES & BENEFITS



Grill
700W grill to toast meals evenly.



Dynamic defrost
This is the ideal system for defrosting food in an instant, almost immediately, thus preserving all the nutrients and preventing microbiological alterations.



Multiwave technology
Consistent and even cooking throughout your dish. Innovative technology perfects the microwave distribution inside the oven.



5 YEAR WARRANTY on parts and labour.

DIMENSIONS

Product Dimensions (W) x (H) x (D)	595 x 382 x 296
Packaged Dimensions (W) x (H) x (D)	
Net Weight/Gross Weight	21/21.5 kg

www.ariston.com.au

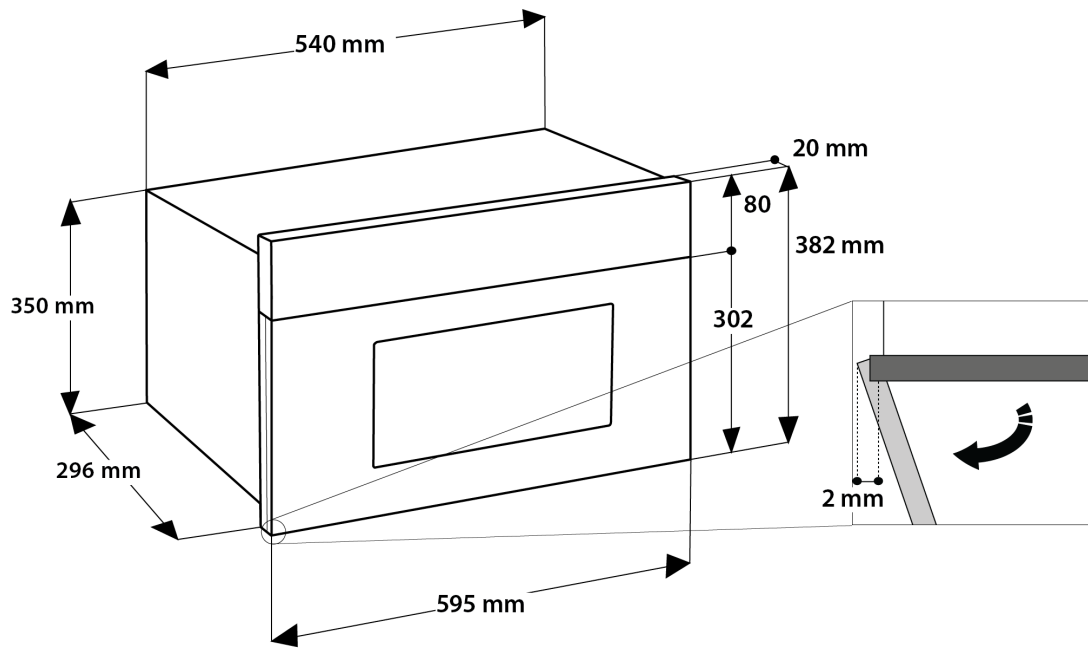
DISTRIBUTED BY ARISIT PTY LTD
40-50 Mark Anthony Drive,
Dandenong South VIC 3175
Ph: 1300 762 219
Fax: 03 9768 0838
Website: www.arisit.com

1A Howe Street,
Newton, Auckland NZ 1145
Ph: (09) 306 1020
Website: www.arisit.com



MN313 IX A

Microwave Oven with Grill



WARNING: Technical specifications and product sizes can be varied by the manufacturer, without notice. Cut outs for appliances should only be by physical product measurements. The above is indicative only.

www.ariston.com.au
DISTRIBUTED BY ARISIT PTY LTD
40-50 Mark Anthony Drive,
Dandenong South VIC 3175
Ph: 1300 762 219
Fax: 03 9768 0838
Website: www.arisit.com

1A Howe Street,
Newton, Auckland NZ 1145
Ph: (09) 306 1020
Website: www.arisit.com

