

MN313 IXA

Microwave with grill



Microwave with grill

Features and Benefits:

22L Capacity	22L capacity functional size for everyday use
3 Cooking combinations	Grill, Microwave, Microwave & grill
4 Features	Multiwaves technology, defrost, grill grid and child lock
Electronic program	Electronic programmer with an end of cooking signal so you know when your cooking has ended
Automatic cool down	Automatic cool down, cools down your unit after each use

Distributed by Arisit Pty Ltd

40-44 Mark Anthony Drive, Dandenong South VIC 3175 Ph: 1300 762 219 Fax: 03 9768 0838 Website: www.arisit.com

1A Howe Street, Newton, Auckland NZ 1145

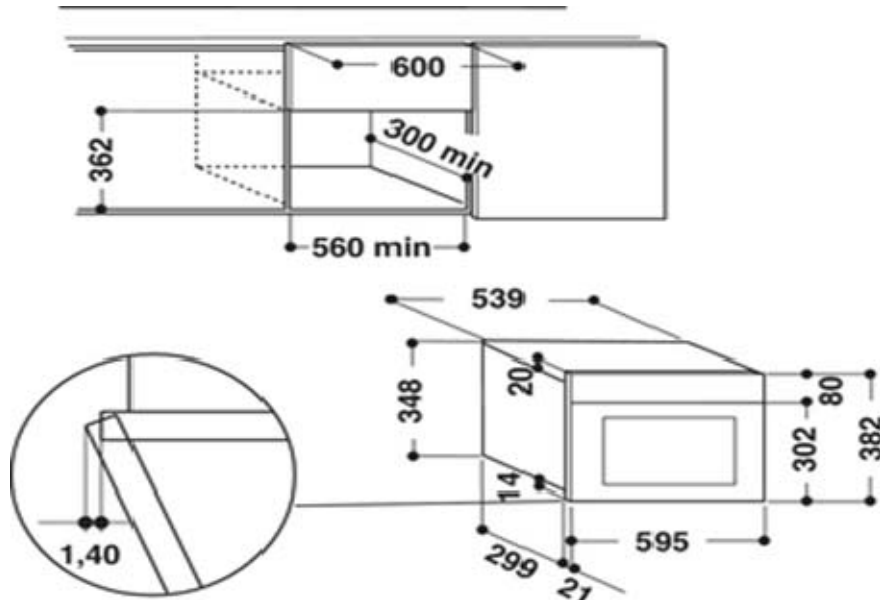
Ph:(09) 306 1020 Fax: (09) 302 0077

MN313 IXA

Microwave with grill



ARISTON



Technical Specifications:

Technical			
No: of programs	3	Ventilation type	Front ventilated
Colour	Inox	Supply Voltage	220—240 V
Control Type button	Electronic buttons with knob control	Absorbed power	1700W
Automatic cool down	Y	Absorbed current	8 AMP
Capacity	22L	Plug and lead	10 AMP
Child Safety	Y	Dimensions (H) x (L) x (D)	382 x 595 x 320
Accessories	Medium Round Grid		

WARNING: technical specifications and product sizes can be varied by the manufacturer, without notice. Cut outs for appliances should only be by physical product measurements. The above information is indicative only.

Distributed by Arisit Pty Ltd

40-44 Mark Anthony Drive, Dandenong South VIC 3175 Ph: 1300 762 219 Fax: 03 9768 0838 Website: www.arisit.com

1A Howe Street, Newton, Auckland NZ 1145

Ph:(09) 306 1020 Fax: (09) 302 0077