

# ML 99 IX A

## 90cm Built In Oven



## 90cm Built In Oven

---

### Features and Benefits:

<b>8 Cooking Modes</b>	Multilevel, barbecue spit roast, gratin, ECO Program, Grill, Pizza, Bread, Baking
<b>Multilevel mode</b>	All heating elements and the fan are activated. Since the heat remains constant throughout the oven, the air cooks and browns food in a uniform manner. A maximum of two racks may be used at the same time.
<b>Built In Rotisserie</b>	Just like using your BBQ outside, without having to battle the elements or the messy clean up.
<b>Fully Programmable Clock and Timer</b>	Simply set and forget. The oven will turn on and/or off at the specified time.
<b>Triple Glazed Door</b>	Cool touch door makes it safer for all the family in the kitchen. Less chance of burning yourself if the door is accidentally touched while the oven is on.

---

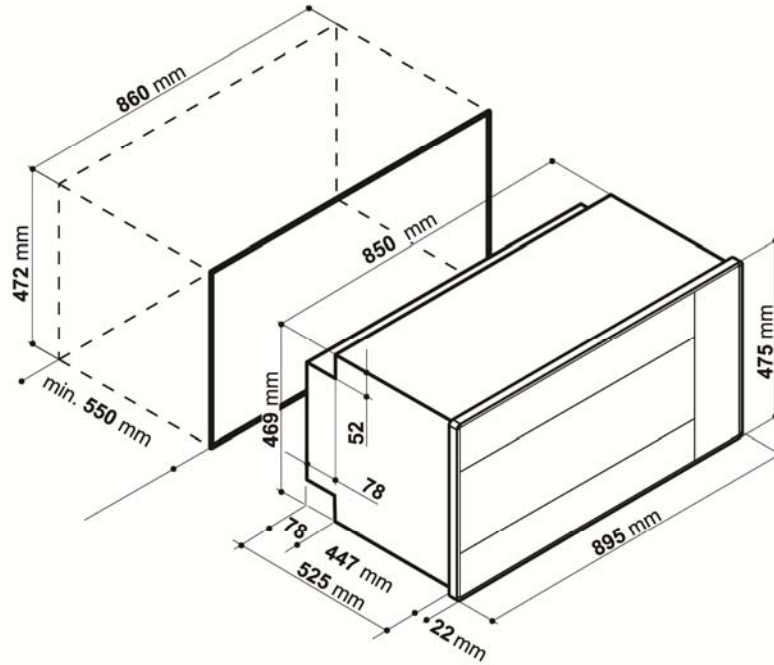
**Distributed by Arisit Pty Ltd**

40-44 Mark Anthony Drive, Dandenong South VIC 3175 Ph: 1300 762 219 Fax: 03 9768 0838 Website: [www.arisit.com](http://www.arisit.com)

1A Howe street, Auckland, New Zealand 1145 Ph: (09) 306 1020 Fax: 09 3020077

# ML 99 IX A

## 90cm Built In Oven



### Technical Specifications:

No. Functions	8
Oven Capacity (gross)	90L
Timer	Electronic start / End of cooking
Display	LED
Finish	Stainless Steel
Dimensions (W) x (H) x (D)	89.5 x 48 x 55

Technical	
No. Door Glasses	3
Cooling Fan	Y
Absorbed Power	2800W
Connection	220-240V / 50Hz / 13.4A

WARNING: technical specifications and product sizes can be varied by the manufacturer, without notice. Cut outs for appliances should only be by physical product measurements. The above information is indicative only.

### Distributed by Arisit Pty Ltd

40-44 Mark Anthony Drive, Dandenong South VIC 3175 Ph: 1300 762 219 Fax: 03 9768 0838 Website: [www.arisit.com](http://www.arisit.com)

1A Howe Street, Newton, Auckland NZ 1145

Ph:(09) 306 1020 Fax: (09) 302 0077