

# MB 91 IX

## 90cm Built In Oven



## 90cm Built In Oven

### Features and Benefits:

7 Cooking Functions	Traditional, Lower Heating, Upper Heating, Grill, Gratin, Pastries, Multi Level
Self Cleaning Catalytic Liners	Located on the Sides and Back of the oven cavity, you only need to clean the door and base of the unit on a regular basis making maintenance extremely easy.
Built In Rotisserie	Just like using your BBQ outside, without having to battle the elements or the messy clean up.
Fully Programmable Clock and Timer	Simply set and forget. The oven will turn on and/or off at the specified time.
Triple Glazed Door	Cool touch door makes it safer for all the family in the kitchen. Less chance of burning yourself if the door is accidentally touched while the oven is on.

Distributed by Arisit Pty Ltd

40-44 Mark Anthony Drive, Dandenong South VIC 3175

Ph: 1300 762 219

Fax: 03 9768 0838

Website: [www.arisit.com](http://www.arisit.com)

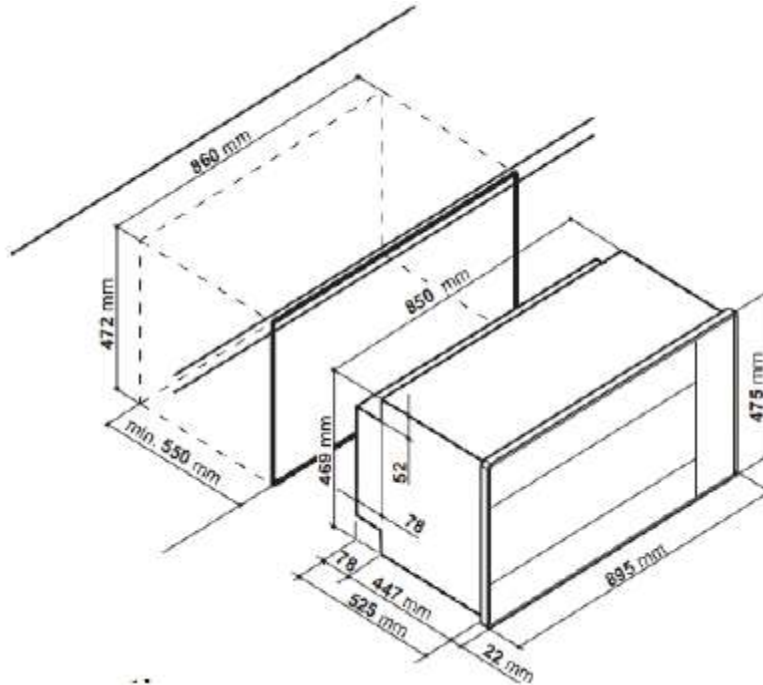
1A Howe street, Auckland, New Zealand 1145

Ph: (09) 306 1020

Fax: 09 3020077

# MB 91 IX

## 90cm Built In Oven



### Technical Specifications:

No. Functions	7 Multifunction
Oven Capacity (Gross)	90L
Timer	Electronic start / End of cooking
No. Door Glass	3
Cleaning	Manual
Finish	Stainless Steel
Dimensions (W) x (H) x (D)	895 X 475 X 525+22

Technical	
Accessories	1 x tray, 2 x grids
Cooling Fan	Y
Absorbed Power	3100W
Connection	230-240V / 50Hz / 13.4A

WARNING: technical specifications and product sizes can be varied by the manufacturer, without notice. Cut outs for appliances should only be by physical product measurements. The above information is indicative only.

Distributed by Arisit Pty Ltd

40-44 Mark Anthony Drive, Dandenong South VIC 3175 Ph: 1300 762 219 Fax: 03 9768 0838 Website: www.arisit.com

1A Howe Street, Newton, Auckland NZ 1145

Ph:(09) 306 1020

Fax: (09) 302 0077