

LIE2C19 AUS

60cm Integrated Dishwasher



TECHNICAL SPECIFICATIONS

Construction Type/Product Family	Integrated Dishwasher
No. Place Settings	14
No. of Programms	6
Delay Start	No
Fold Down Prongs	Yes
Safety Features	Aqua Stop
Noise Level	49dB
Removable Top	Yes
Energy Rating	3 Stars
Water Rating	4.5 Stars
Control Type	Buttons
Country of Origin	Poland

FEATURES & BENEFITS



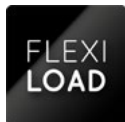
Programmes

Eco, Intensive, Everyday, Express 40', Soak, Half Load.



Place Settings

This Dishwasher has a 14 place setting. With more capacity means less wash loads, saving both water and energy.



Adjustable Top & Bottom Raking

Thanks to the foldable racks this dishwasher provides additional space for larger pots and dishes on both the top and bottom baskets.



Half Load

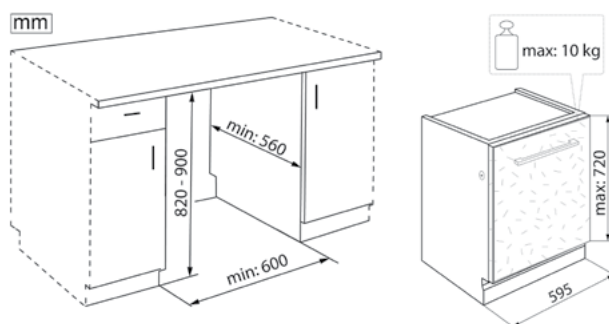
For loading half the table settings distributed among various racks, while ensuring the same washing efficiency with reduced consumption



DIMENSIONS

Product Dimensions (W) x (H) x (D)	595 x 820 x 555
Undercounter Dimensions (W) x (H) x (D)	600 x 820-900 x 560
Cabinet Door Dimensions (W) x (H)	595 x Max 720
Packaging Dimensions (W) x (H) x (D)	625 x 910 x 675
Net Weight/Gross Weight	40kg

Installation Dimensions



WARNING: technical specifications and product sizes can be varied by the manufacturer, without notice. Cut outs for appliances should only be by physical product measurements. The above information is indicative only.

DISTRIBUTED BY ARISIT PTY LTD

40-50 Mark Anthony Drive,
Dandenong South VIC 3175
Ph: 1300 762 219
Fax: 03 9768 0838
Website: www.arisit.com

1A Howe Street,
Newton, Auckland NZ 1145
Ph: (09) 306 1020
Website: www.arisit.com

