

HLC 9.8 ATIX

90cm Rangehood



 **ARISTON**



90cm Rangehood

Features and Benefits:

3 Speed and 1 Booster

150 MM Ducting

71 dBA

2 x 20 watt Halogen Lights

Dishwasher safe filters

Distributed by Arisit Pty Ltd

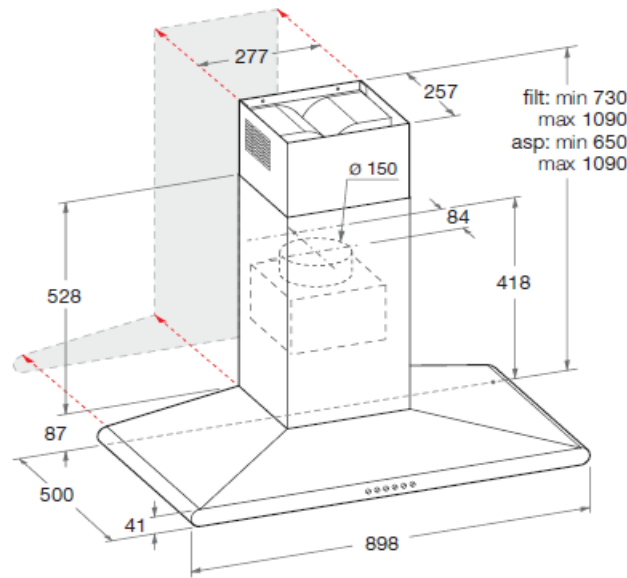
40-44 Mark Anthony Drive, Dandenong South VIC 3175 Ph: 1300 762 219 Fax: 03 9768 0838 Website: www.arisit.com

1A Howe Street, Newton, Auckland NZ 1145

Ph:(09) 306 1020 Fax: (09) 302 0077

HLC 9.8 ATIX

90cm Rangehood



Technical Specifications:

Extraction Rate	772 m3/h
Speed Settings	3 + booster
Lighting Type / Position	2 x Halogen x 20 Watt / Front
Control Type	Touch control glass and display
Colour	Stainless Steel
Filter Type	Aluminium filters
Dimensions (W) x (H) x (D)	89.8 x 73 x 50

Technical	
Connection	220/240V~ / 50/60Hz
Ducting Outlet	150

WARNING: technical specifications and product sizes can be varied by the manufacturer, without notice. Cut outs for appliances should only be by physical product measurements. The above information is indicative only.

Distributed by Arisit Pty Ltd

40-44 Mark Anthony Drive, Dandenong South VIC 3175 Ph: 1300 762 219 Fax: 03 9768 0838 Website: www.arisit.com
 1A Howe Street, Newton, Auckland NZ 1145 Ph:(09) 306 1020 Fax: (09) 302 0077