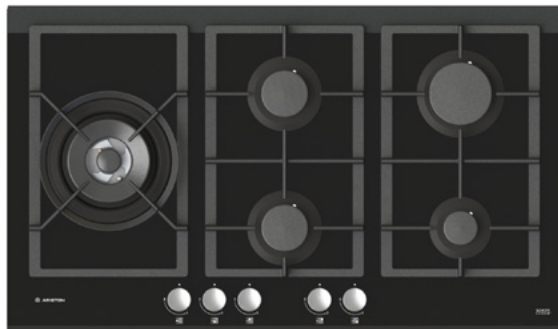


GGA34BKAUS

90cm 5 Burner Built-In Gas Hob



FEATURES & BENEFITS

Ariston Black Range

Sleek in black, gas cooktop on glass is classy with front beveled finish, to fit any kitchen design.

Schott Ceran Glass

More durability with high quality Schott Ceran cooktop glass, that is resistant to scratches, hard knocks and high temperature. Cleaning up is also exceptionally easy.

Ultra Rapid Burner

14.5MJ/h of power, for faster and better cooking results.

Cast iron grid & wok stand

With cast iron grid and wok stand, you can now cook with ease. Cast iron is durable, has better heat conduction and is non-slip on cookwares. Wok stand also facilitates various styles of cooking and flexibility to accommodate a wider range of cooking utensils.

Safety Auto Lock

A safety system that automatically stops gas flow in a flame out situation.

5 YEAR WARRANTY on parts and labour.

TECHNICAL SPECIFICATIONS

Construction Type/Product Family	Built-In Gas
Trivets	Cast Iron
Burner Type	Sabaf & Defendi Burners
Beveled Finish	Front Bevelled
Glass type	Schott Ceran Glass
Location of Control Knobs	Front
Electric Ignition	Yes
Flame Failure Device	Safety Auto Lock
Gas Burners	5 Burners
Surface Material	Black glass
Fuel Types	Natural Gas
Electronic Connection (V)	220-240V
Energy Consumption	0.6W
Origin	Made in Europe

HOB POWER (Natural Gas)

Center Left Outside Burner	14.5MJ/h
Rear Right Burner:	12MJ/h
Front Right Burner	4.1MJ/h
Center Front Burner:	5.4MJ/h
Center Rear Burner:	7.1MJ/h

DIMENSIONS

Product Dimensions (W) x (D)	870 x 510
Cut-out dimensions (W) x (H) x (D)	833 x 60 x 475
Net Weight/Gross Weight	18.6/20.75 kg

www.ariston.com.au

DISTRIBUTED BY ARISIT PTY LTD
40-50 Mark Anthony Drive,
Dandenong South VIC 3175
Ph: 1300 762 219
Fax: 03 9768 0838
Website: www.arisit.com

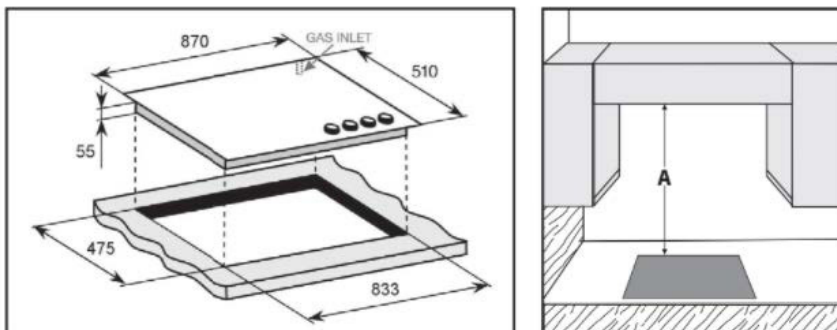
1A Howe Street,
Newton, Auckland NZ 1145
Ph: (09) 306 1020
Website: www.arisit.com

GGA34BKAUS

90cm 5 Burner Built-In Gas Hob

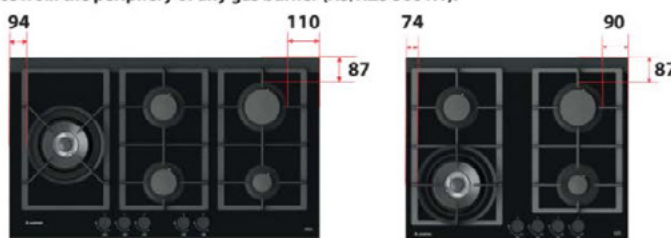


Mod.: GGA34BKAUS



The appliance belongs to class 3 and is therefore subject to all the provisions established by the provisions governing such appliances.

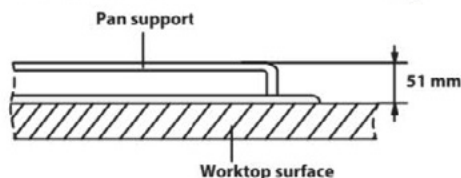
NOTE: In case of installation of a hood above the cooktop please refer to the range hood instructions for the correct distance. Clearance A, between the highest part of the highest burner of the gas cooking appliance and a range hood or exhaust fan (overhead clearance), shall be no less than 600 mm for a range hood, and no less than 750 mm for an exhaust fan. The minimum clearance from a combustible surface shall be a 200 mm horizontal distance from the periphery of any gas burner (AS/NZS 5601.1).



If that horizontal clearance is less than 200 mm, that vertical surface must be protected by a non combustible material for 150 mm above the cooktop surface across the entire length (depth, width). The shown area indicates the protected surface, which may be ceramic tiles or other approved material.



The high from the worktop surface to the top of the pan support is 51 mm.



CAUTION:

The installer shall test the appliance before leaving. Test the safety operation of the ignition system on all burners individually and combined.

WARNING: Technical specifications and product sizes can be varied by the manufacturer, without notice. Cut outs for appliances should only be by physical product measurements. The above is indicative only.

www.ariston.com.au

DISTRIBUTED BY ARISIT PTY LTD
40-50 Mark Anthony Drive,
Dandenong South VIC 3175
Ph: 1300 762 219
Fax: 03 9768 0838
Website: www.arisit.com

1A Howe Street,
Newton, Auckland NZ 1145
Ph: (09) 306 1020
Website: www.arisit.com