

FZ891P.1IX/GREY

60cm Built In Oven



60cm 8 Function Pyrolytic Oven

Features and Benefits:

8 Cooking Functions	Grill, Fast Cooking, Multi Level, BBQ, Baking, Proving, Pizza, Traditional
Pyrolytic Fast Cleaning	Just set and forget. The oven will automatically go through an intense cleaning cycle. Just wipe out the base of the machine with a damp cloth once its finished.
Telescopic Guides	Better when cooking large dishes as they hold the weight of the dish making it easier to tend to the meal. Also great for delicate dishes as it minimises bumping the dish
Fully Programmable Clock and Timer	Simply set and forget. The oven will turn on and/or off at the specified time.
Quad Glazed Door	Cool touch door makes it safer for all the family in the kitchen. Less chance of burning yourself if the door is accidentally touched while the oven is on.
Grey Cavity	Making it easier to see the food you're cooking

Distributed by Arisit Pty Ltd

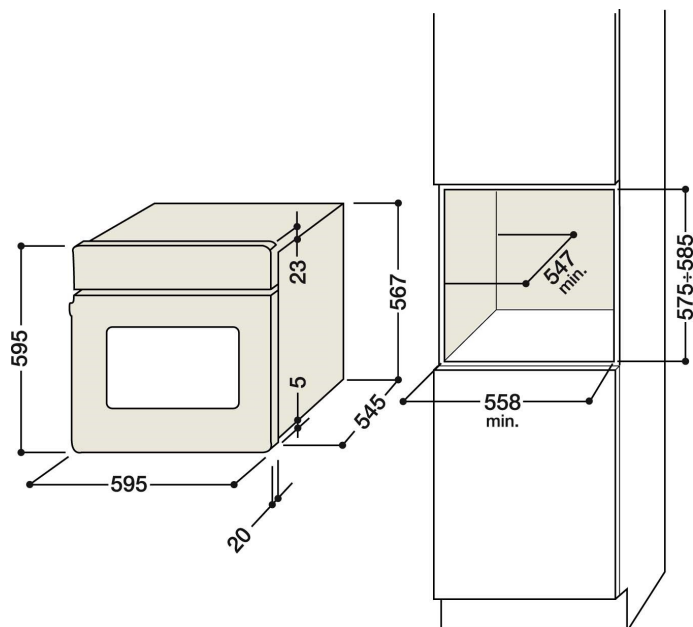
40-44 Mark Anthony Drive, Dandenong South VIC 3175 Ph: 1300 762 219 Fax: 03 9768 0838 Website: www.arisit.com

1A Howe Street, Newton, Auckland NZ 1145

Ph:(09) 306 1020 Fax: (09) 302 0077

FZ891P.1IX/GREY

60cm Built In Oven



Technical Specifications:

No. Functions	8
Oven Capacity (Gross)	66L
Timer	Electronic Display
No. Door Glass	4
Cleaning	Pyrolytic
Finish	Stainless Steel/No-Stain
Dimensions (W) x (H) x (D)	59.5 x 59.5 x 54.5

Technical	
Accessories	1 x deep tray, 1 x tray, 2 x grids
Cooling Fan	Y
Absorbed Power	2800W
Connection	220/240V/56/60Hz/12.1A

Distributed by Arisit Pty Ltd

40-44 Mark Anthony Drive, Dandenong South VIC 3175 Ph: 1300 762 219 Fax: 03 9768 0838 Website: www.arisit.com

1A Howe Street, Newton, Auckland NZ 1145

Ph:(09) 306 1020 Fax: (09) 302 0077