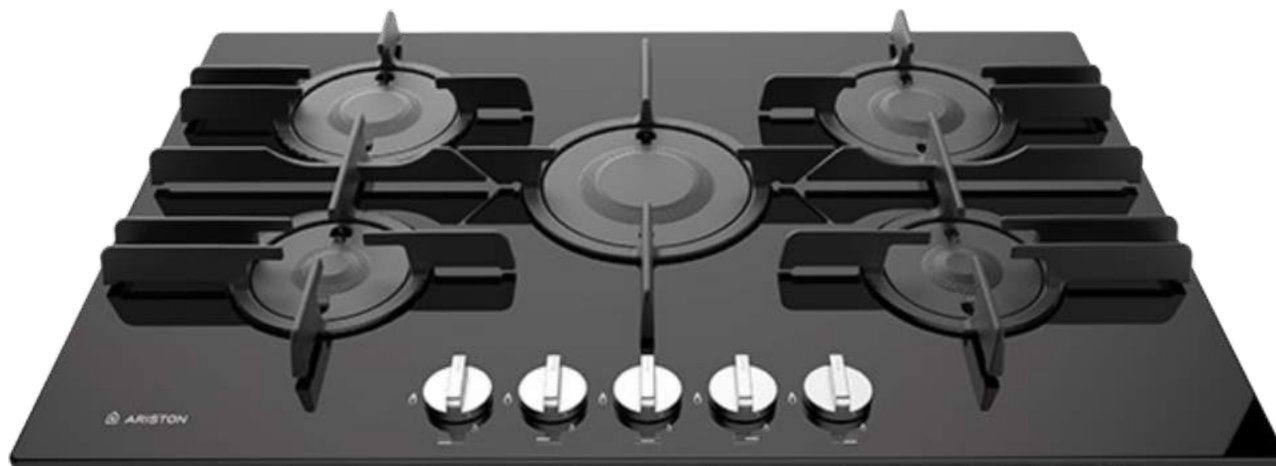


FTGHG751DA LPG

75cm Direct Flame Gas Cooktop (LPG)



 **ARISTON**



75cm Direct Flame Gas Cooktop—LPG ONLY

Features and Benefits:

Black Glass Finish	Stylish black glass finish that is also easy to wipe clean
5 Direct Flame Gas Burners	5 Gas burners using the Direct Flame technology. This is fast, efficient and easy to clean plus uses less energy than the traditional gas burners
Electronic Ignition	A simple one touch ignition for easy lighting of burners
Flame Failure Safety Device	Automatically shuts off the gas if the flame goes out
Cast Iron Trivets and Burners	Long lasting and easy to clean these can be either hand washed or put through the dishwasher
Front Controls	No reaching over hot pots and pans to turn on or control the temperature

Distributed by Arisit Pty Ltd

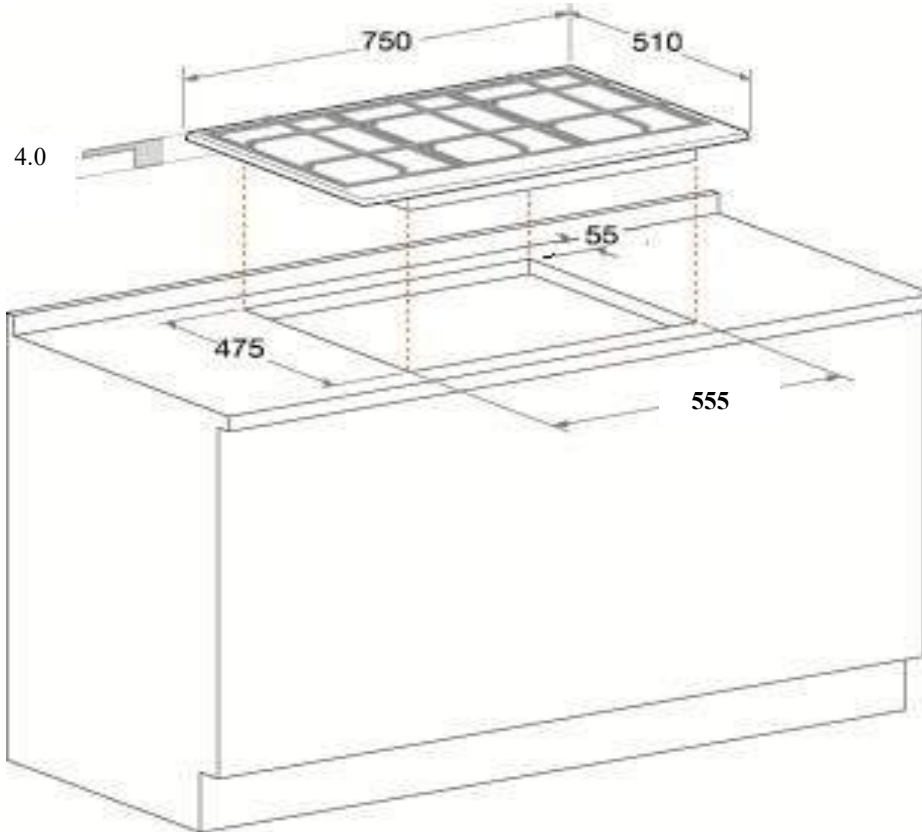
40-44 Mark Anthony Drive, Dandenong South VIC 3175 Ph: 1300 762 219 Fax: 03 9768 0838 Website: www.arisit.com

1A Howe Street, Newton, Auckland NZ 1145

Ph:(09) 306 1020 Fax: (09) 302 0077

PKQ 755 DGH (K) AUS

75cm Direct Flame Gas Cooktop



Technical Specifications:

No. Burners	5
Trivets and Burners	Cast Iron
Ignition	Y
Flame Failure	Y
Hob Material	Black Glass
Connection	220-240V / 50/60Hz
Dimensions (W) x (H) x (D)	750 X 40 X 510

Burner and nozzle specifications

Burner	Diameter (mm)	Gas Consumption (MJ/h)	Natural Gas (1.0 kPa)		Adjusting the burner's (Primary air) (mm)
			Injector (mm)	Flow (l/h) (G20)	
Fast (R)	157	7.5	143	286	10.6
Semi Fast (S)	132	5.0	112	157	4.0
Auxiliary (A)	110	2.5	83	95	3.5
Test point pressure	1.0 kPa with both Semi Fast burners operating at high				

WARNING: technical specifications and product sizes can be varied by the manufacturer, without notice. Cut outs for appliances should only be by physical product measurements. The above information is indicative only.

Distributed by Arisit Pty Ltd

40-44 Mark Anthony Drive, Dandenong South VIC 3175 Ph: 1300 762 219 Fax: 03 9768 0838 Website: www.arisit.com

1A Howe Street, Newton, Auckland NZ 1145

Ph:(09) 306 1020

Fax: (09) 302 0077