

FK898 EP X AUS

60cm Built In Oven



 **ARISTON**



60cm 10 function built in oven

Features and Benefits:

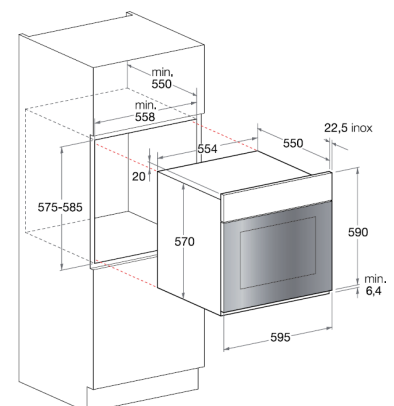
| | |
|---|--|
| 10 Cooking Functions | Multilevel, Barbeque, Gratin, Pizza, Pastries, Low Temperature, Fast Cooking, Eco, Bread, Cakes |
| Glass Inner Door | No crevasses for food to get trapped in so it's easier to clean |
| Telescopic Guides | Better when cooking large dishes as they hold the weight of the dish making it easier to tend to the meal. Also great for delicate dishes as it minimises bumping the dish |
| Anti Touch Stainless Steel | Easy clean stainless steel finish, and Fingerprint resistant finish |
| Fully Programmable Clock and Timer | Simply set and forget. The oven will turn on and/or off at the specified time. |
| Pyrolytic Fast Cleaning | Just set and forget. The oven will automatically go through an intense cleaning cycle. Just wipe out the base of the machine with a damp cloth once its finished. |

Technical Specifications:

| | |
|----------------------------|------------------------------------|
| No. Functions | 10 |
| Oven Capacity (Gross) | 66L |
| Timer | Fully programmable—24hr |
| Controls | Electronic knobs and touch buttons |
| No. Door Glass | 3 |
| Cleaning | Pyrolytic |
| Finish | Stainless Steel and Black Glass |
| Dimensions (W) x (H) x (D) | 595 x 590 x 550 |

Technical

| | |
|----------------|---|
| Accessories | 1 x deep tray, 1 x shallow tray, 2 x grids, telescopic guides |
| Cooling Fan | Y |
| Absorbed Power | 2800W |
| Connection | 220-240V/50/60Hz/12.1A |



Distributed by Arisit Pty Ltd

40-44 Mark Anthony Drive, Dandenong South VIC 3175 Ph: 1300 762 219 Fax: 03 9768 0838 Website: www.arisit.com