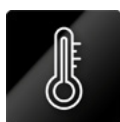


# FI7 861 SPBLAUS

60cm Built-In Pyrolytic Oven



## FEATURES & BENEFITS



### Multi-flow technology

Our intelligent temperature sensors minimise temperature swings to within only +/- 2°C throughout the whole oven, so you get the best cooking results.



### Multi-flow technology

Designed to give you free reign in your desire to try things out, letting you express your creativity in the kitchen with consistently excellent results.



### Pyrolytic clean

A cleaning cycle that need no chemical products, thanks to the temperature of 470° C that reduces the grease to ash. The residue ash can then be easily removed using a damp cloth.



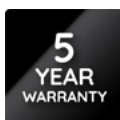
### Automatic Recipes

Automatic Recipes offers semi-automatic cycles which suggest basic cooking parameters and guide you in choosing the ideal temperature and shelf position for the recipe you are preparing.



### Telescopic shelf

The telescopic guides are designed to facilitate insertion and removal of accessories. The rails are easy to remove and they allow drip trays and wire shelves to be repositioned or moved effortlessly.



**5 YEAR WARRANTY on parts and labour.**

## TECHNICAL SPECIFICATIONS

Construction Type/Product Family	Built-in oven
Main colour	Black glass
Display type	LCD
Control Type	Electronic
Capacity	73 litres
Timer	Electronic
Cavity type	Enamel
Door glasses	4
Oven guides	Grids
Grids	2
Enamelled baking trays	1
Deep trays	1
Cleaning system	Pyrolytic
Cooking functions	5 functions + 8 special
Multiflow	Yes
Temperature control	Electronic
Child lock	Yes
Motorised turn spit	No
Meat probe	No
Voltage	220-240 V
Frequency	50-60 Hz
Current	16A
Absorbed total power	3650 W
Grill power	3650 W

## DIMENSIONS

Product Dimensions (W) x (H) x (D)	595 x 595 x 564
Built-In Hole Dimensions (W) x (H) x (D)	560 x 583 x 550
Net Weight/Gross Weight	40.5 / 42.5kg

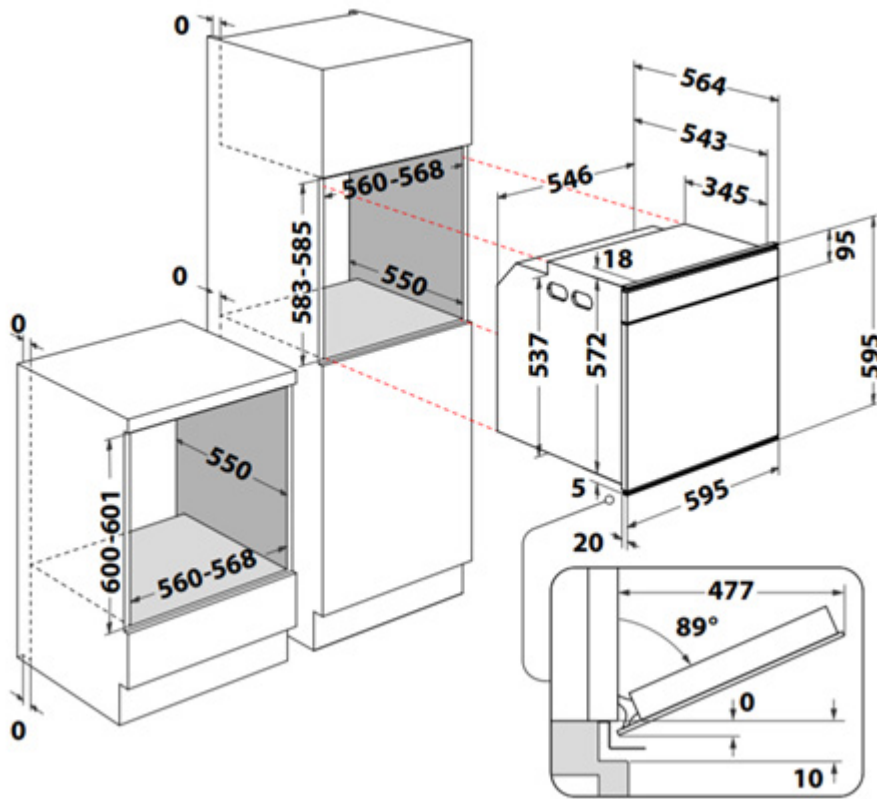
[www.ariston.com.au](http://www.ariston.com.au)

DISTRIBUTED BY ARISIT PTY LTD  
40-50 Mark Anthony Drive,  
Dandenong South VIC 3175  
Ph: 1300 762 219  
Fax: 03 9768 0838  
Website: [www.arisit.com](http://www.arisit.com)

1A Howe Street,  
Newton, Auckland NZ 1145  
Ph: (09) 306 1020  
Website: [www.arisit.com](http://www.arisit.com)

# FI7 861 SPBLAUS

60cm Built-In Pyrolytic Oven



**WARNING:** Technical specifications and product sizes can be varied by the manufacturer, without notice. Cut outs for appliances should only be by physical product measurements. The above is indicative only.

[www.ariston.com.au](http://www.ariston.com.au)

DISTRIBUTED BY ARISIT PTY LTD  
40-50 Mark Anthony Drive,  
Dandenong South VIC 3175  
Ph: 1300 762 219  
Fax: 03 9768 0838  
Website: [www.arisit.com](http://www.arisit.com)

1A Howe Street,  
Newton, Auckland NZ 1145  
Ph: (09) 306 1020  
Website: [www.arisit.com](http://www.arisit.com)