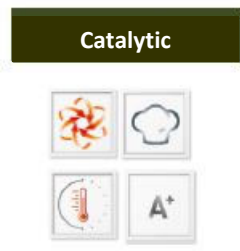


FI5 854 C IX A AUS

60cm Built In Oven



60cm Built In Oven

Features and Benefits:

10+6 Cooking Functions	The large array of programs makes this oven extremely versatile, Fast preheat, Pizza / Bread, Conventional, Defrosting, Forced air, Turbo fan, Grill, Turbo grill, Grill tilting
Catalytic Cleaning	Catalytic liners work using the heat of the oven to absorb grease and fat.
Tilting Grill	The upper grill element is able to tilt down at an angle for easy cleaning of the top cavity.
81 Lt	Large capacity, perfect for entertaining

Distributed by Arisit Pty Ltd

40-44 Mark Anthony Drive, Dandenong South VIC 3175
1A Howe Street, Newton, Auckland NZ 1145

Ph: 1300 762 219
Ph:(09) 306 1020

Fax: 03 9768 0838
Fax: (09) 302 0077

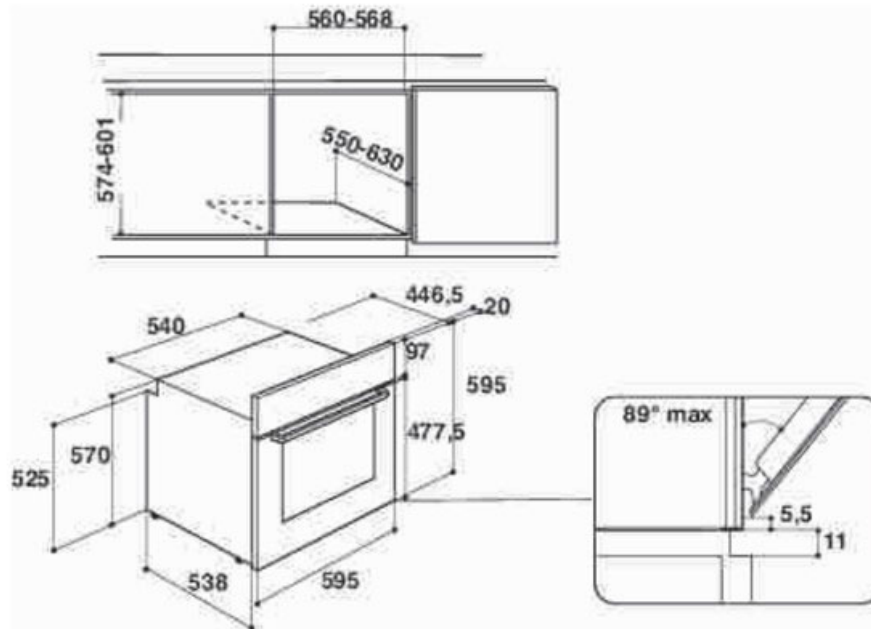
Website: www.arisit.com

FI5 854 C IX A AUS

60cm Built In Oven



 **ARISTON**



Technical Specifications:

Technical Specifications

Voltage (V)	220-240
Frequency (Hz)	50-60
Absorbed Current (A)	11
Type of energy	Electric
Absorbed Power (W)	2600
Oven Capacity	81 ltr
Plug and lead	15 AMP

Height of the product	595
Depth of the product	538
Width of the product	595

WARNING: technical specifications and product sizes can be varied by the manufacturer, without notice. Cut outs for appliances should only be by physical product measurements. The above information is indicative only.

Distributed by Arisit Pty Ltd

40-44 Mark Anthony Drive, Dandenong South VIC 3175 Ph: 1300 762 219 Fax: 03 9768 0838 Website: www.arisit.com

1A Howe Street, Newton, Auckland NZ 1145

Ph:(09) 306 1020 Fax: (09) 302 0077