

# FH 837 C IX

## 60cm Built In Oven



**ARISTON**



## 60cm 8 Function Built In Oven

---

### Features and Benefits:

<b>8 Cooking Functions</b>	Fast Cooking, Grill, Gratin, Raising, Pastry, Multi Level, Pizza, Traditional
<b>Glass Inner Door</b>	No crevasses for food to get trapped in so it's easier to clean
<b>Self Cleaning Catalytic Liners</b>	Located on the Sides and Back of the oven cavity, you only need to clean the door and base of the unit on a regular basis making maintenance extremely easy.
<b>Fully Programmable Clock and Timer</b>	Simply set and forget. The oven will turn on and/or off at the specified time.
<b>Triple Glazed Door</b>	Cool touch door makes it safer for all the family in the kitchen. Less chance of burning yourself if the door is accidentally touched while the oven is on.

---

**Distributed by Arisit Pty Ltd**

40-44 Mark Anthony Drive, Dandenong South VIC 3175 Ph: 1300 762 219 Fax: 03 9768 0838 Website: [www.arisit.com](http://www.arisit.com)

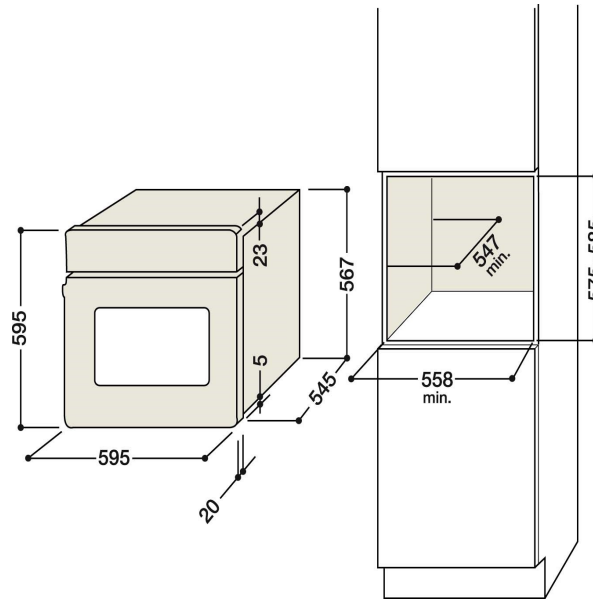
1A Howe Street, Newton, Auckland NZ 1145

Ph:(09) 306 1020

Fax: (09) 302 0077

# FH 837 C IX

## 60cm Built In Oven



### Technical Specifications:

No. Functions	8
Oven Capacity (Gross)	66L
Timer	Digital Timer
No. Door Glass	3
Cleaning	Catalytic Direct
Finish	Stainless Steel
Dimensions (W) x (H) x (D)	59.5 x 59.5 x 54.5

Technical	
Accessories	1 x tray, 2 x grids
Cooling Fan	Y
Absorbed Power	2800W
Connection	220/240V/50/60Hz/12.1A

WARNING: technical specifications and product sizes can be varied by the manufacturer, without notice. Cut outs for appliances should only be by physical product measurements. The above information is indicative only.

#### Distributed by Arisit Pty Ltd

40-44 Mark Anthony Drive, Dandenong South VIC 3175 Ph: 1300 762 219 Fax: 03 9768 0838 Website: [www.arisit.com](http://www.arisit.com)

1A Howe Street, Newton, Auckland NZ 1145

Ph:(09) 306 1020 Fax: (09) 302 0077