

FA3S 841 P IX A AUS

60cm Built-In Combi-Steam Oven



60cm Built-In Combi-Steam Oven

Features and Benefits:

MultiFunction 8 + 3 automatic cooking programs	The large array of programs makes this oven extremely versatile, Fast preheat, Pizza, Conventional, Forced air, Grill, Turbo grill, Bread, Meat, Fish
Combi-Steam Cooking	Maintain the nutritional values and vitamins thanks to the gentle cooking of steam.
Pyrolytic Cleaning	Pyrolytic oven turns food residue and grime into ash which can then be easily wiped clean using a damp cloth. No harsh chemical or scrubbing required.
77Lt	Large capacity, perfect for entertaining

Distributed by Arisit Pty Ltd

40-44 Mark Anthony Drive, Dandenong South VIC 3175
1A Howe Street, Newton, Auckland NZ 1145

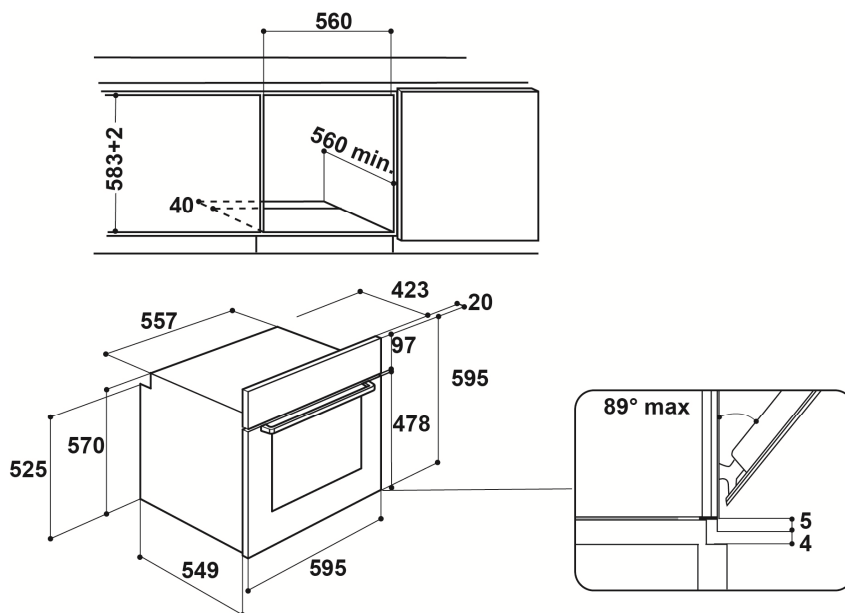
Ph: 1300 762 219
Ph:(09) 306 1020

Fax: 03 9768 0838
Fax: (09) 302 0077

Website: www.arisit.com

FA3S 841 P IX A AUS

60cm Built-In Combi-Steam Oven



Technical Specifications:

Technical Specifications	
Voltage (V)	220-240
Frequency (Hz)	50-60
Current (A)	16
Type of energy	Electric
Absorbed Power (W)	3300
Plug and lead	15 AMP
Oven Capacity	77 ltr
Height of the product	595
Depth of the product	551
Width of the product	595

WARNING: technical specifications and product sizes can be varied by the manufacturer, without notice. Cut outs for appliances should only be by physical product measurements. The above information is indicative only.

Distributed by Arisit Pty Ltd

40-44 Mark Anthony Drive, Dandenong South VIC 3175 Ph: 1300 762 219 Fax: 03 9768 0838 Website: www.arisit.com

1A Howe Street, Newton, Auckland NZ 1145

Ph:(09) 306 1020 Fax: (09) 302 0077