

# FA3S 841 P IX A AUS

60cm Built-In Steam Pyrolytic Oven



## TECHNICAL SPECIFICATIONS

Construction Type/Product Family	Built-in oven
Main colour	Stainless steel
Display type	LCD
Control Type	Mechanical
Capacity	77 litres
Timer	Electronic
Door glasses	3
Grids	2
Enamelled baking trays	1
Deep trays	1
Cleaning system	Pyrolytic
Cooking functions	MF8
Multiflow	Yes
Temperature control	Electronic
Child lock	Electronic
Voltage	220-240 V
Frequency	50-60 Hz
Current	16A
Grill power	3300 W

## FEATURES & BENEFITS



### Multi-flow technology

Designed to give you free reign in your desire to try things out, letting you express your creativity in the kitchen with consistently excellent results.



### Steam cooking

Maintain the nutritional values and vitamins thanks to the gentle cooking of steam.



### Pyrolytic clean

A cleaning cycle that need no chemical products, thanks to the temperature of 470° C that reduces the grease to ash. The residue ash can then be easily removed using a damp cloth.



### 5 YEAR WARRANTY on parts and labour.

## DIMENSIONS

Product Dimensions (W) x (H) x (D)	595 x 595 x 551
Built-In Hole Dimensions (W) x (H) x (D)	560 x 585 x 560
Net Weight/Gross Weight	36/38 kg

[www.ariston.com.au](http://www.ariston.com.au)

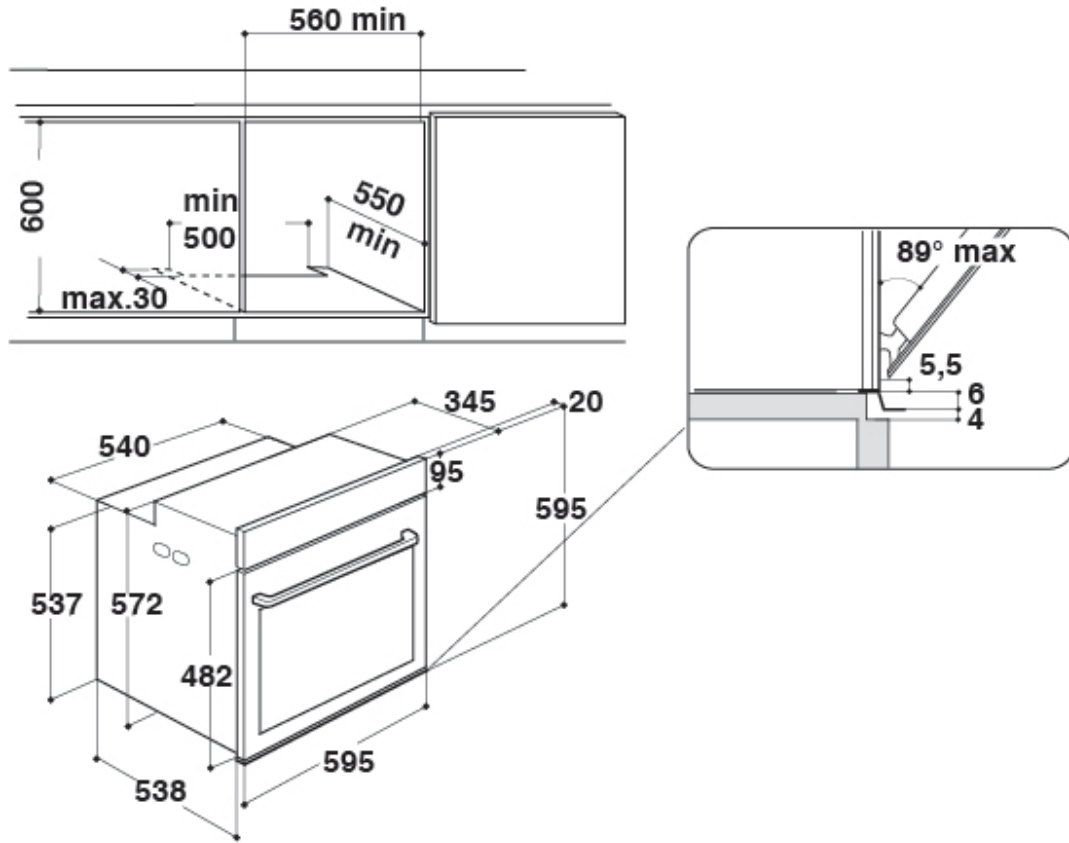
DISTRIBUTED BY ARISIT PTY LTD  
40-50 Mark Anthony Drive,  
Dandenong South VIC 3175  
Ph: 1300 762 219  
Fax: 03 9768 0838  
Website: [www.arisit.com](http://www.arisit.com)

1A Howe Street,  
Newton, Auckland NZ 1145  
Ph: (09) 306 1020  
Website: [www.arisit.com](http://www.arisit.com)



# FA3S 841 P IX A AUS

60cm Built-In Steam Pyrolytic Oven



**WARNING:** Technical specifications and product sizes can be varied by the manufacturer, without notice. Cut outs for appliances should only be by physical product measurements. The above is indicative only.

[www.ariston.com.au](http://www.ariston.com.au)

DISTRIBUTED BY ARISIT PTY LTD  
40-50 Mark Anthony Drive,  
Dandenong South VIC 3175  
Ph: 1300 762 219  
Fax: 03 9768 0838  
Website: [www.arisit.com](http://www.arisit.com)

1A Howe Street,  
Newton, Auckland NZ 1145  
Ph: (09) 306 1020  
Website: [www.arisit.com](http://www.arisit.com)

