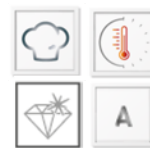


# FA3 844 H IX A AUS

## 60cm Built In Oven



## 60cm Built In Oven

### Features and Benefits:

<b>10+2 Cooking Functions</b>	The large array of programs makes this oven extremely versatile, Fast preheat, Pizza, Bread, Conventional, Forced air, Grill, Turbo grill, Grill tilting, Diamond clean, Light
<b>Diamond Cleaning</b>	The entire oven has a special coating with cleaning properties, that is activated during the steam clean cycle that reaches a temperature of 90° and lasts just 35 minutes. The stains are softened and can be easily removed using a damp cloth.
<b>Tilting Grill</b>	The upper grill element is able to tilt down at an angle for easy cleaning of the top cavity.
<b>77Lt</b>	Large capacity, perfect for entertaining

**Distributed by Arisit Pty Ltd**

40-44 Mark Anthony Drive, Dandenong South VIC 3175  
1A Howe Street, Newton, Auckland NZ 1145

Ph: 1300 762 219  
Ph:(09) 306 1020

Fax: 03 9768 0838  
Fax: (09) 302 0077

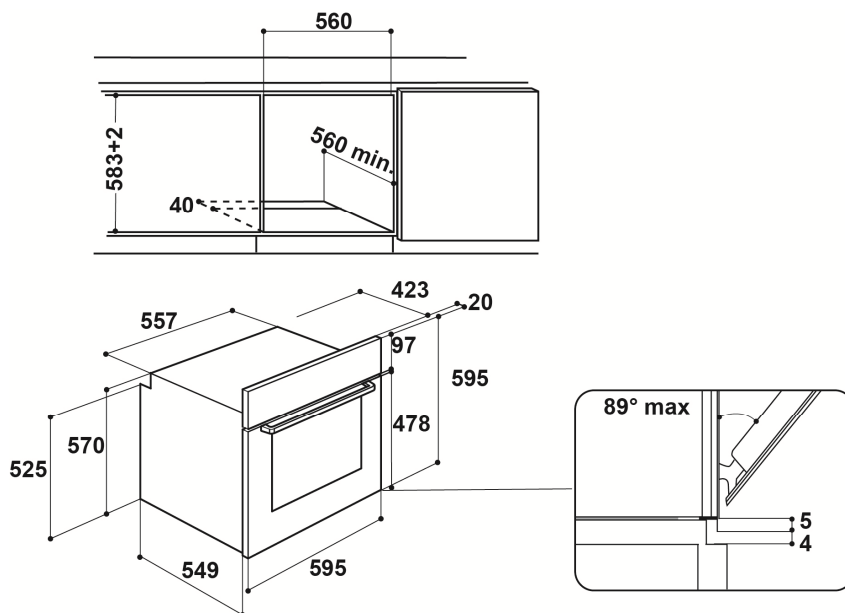
Website: [www.arisit.com](http://www.arisit.com)

# FA3 844 H IX A AUS

## 60cm Built In Oven



ARISTON



### Technical Specifications:

Technical Specifications	
Voltage (V)	220-240
Frequency (Hz)	50-60
Current (A)	13
Type of energy	Electric
Absorbed Power (W)	2900
Plug and lead	15 AMP
Oven Capacity	77 ltr
Height of the product	595
Depth of the product	549
Width of the product	595

WARNING: technical specifications and product sizes can be varied by the manufacturer, without notice. Cut outs for appliances should only be by physical product measurements. The above information is indicative only.

**Distributed by Arisit Pty Ltd**

40-44 Mark Anthony Drive, Dandenong South VIC 3175 Ph: 1300 762 219 Fax: 03 9768 0838 Website: [www.arisit.com](http://www.arisit.com)

1A Howe Street, Newton, Auckland NZ 1145

Ph:(09) 306 1020 Fax: (09) 302 0077