

DN62X

Built In Double Oven



60cm Built In Double Oven

Features and Benefits:

6 Cooking Functions in Main oven	Traditional, Fan Forced, Fan Assist, Gratin, Half Grill, Full Grill
2 Functions in Second Oven	Grill, Traditional
Self Cleaning Catalytic Liners	Located on the Sides and Back of the oven cavity, you only need to clean the door and base of the unit on a regular basis making maintenance extremely easy.
Small oven located on Top	Making the main oven at a more accessible height when build into the wall
Glass Inner Door	No crevasses for food to get trapped in so it's easier to clean
Triple Glazed Door	Cool touch door makes it safer for all the family in the kitchen. Less chance of burning yourself if the door is accidently touched while the oven is on.

Distributed by Arisit Pty Ltd

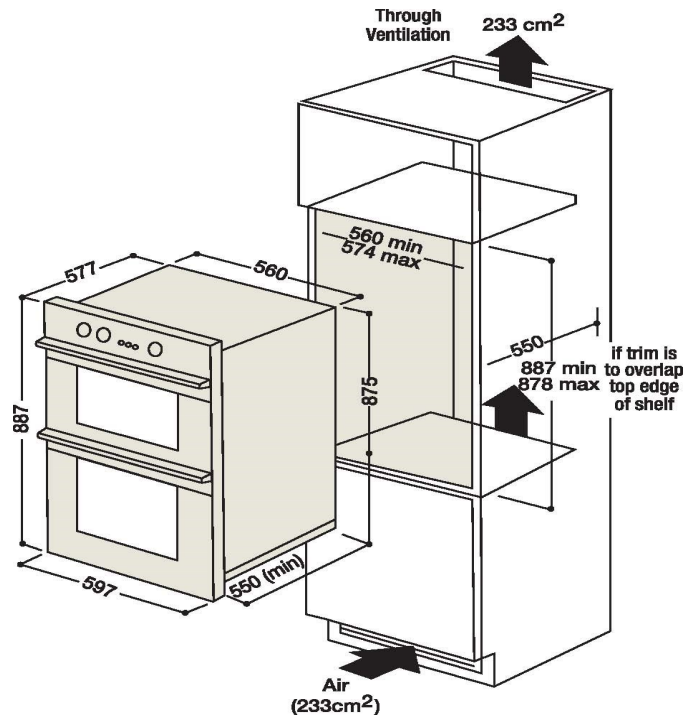
40-44 Mark Anthony Drive, Dandenong South VIC 3175 Ph: 1300 762 219 Fax: 03 9768 0838 Website: www.arisit.com

1A Howe Street, Newton, Auckland NZ 1145

Ph:(09) 306 1020 Fax: (09) 302 0077

DN62X

Built In Double Oven



Technical Specifications:

No. Functions	6 / 2
Oven Capacity (Gross) Main / Second	78L / 37L
Timer	Digital
No. Door Glass	3
Cleaning	Catalytic Direct
Finish	Stainless Steel
Dimensions (W) x (H) x (D)	59.7 x 88.7 x 57.7

Technical	
Accessories	1 x grid, kit grill pan, roasting rack, roasting tin
Cooling Fan	Y
Absorbed Power	3100W
Connection	230-240V / 50Hz / 13.4A

WARNING: technical specifications and product sizes can be varied by the manufacturer, without notice. Cut outs for appliances should only be by physical product measurements. The above information is indicative only.

Distributed by Arisit Pty Ltd

40-44 Mark Anthony Drive, Dandenong South VIC 3175 Ph: 1300 762 219 Fax: 03 9768 0838 Website: www.arisit.com

1A Howe Street, Newton, Auckland NZ 1145

Ph:(09) 306 1020 Fax: (09) 302 0077