

# CX65SM2(X) AUS

## 60cm Upright Cooker



**ARISTON**



### 60cm Gas / Electric Upright Cooker

---

#### Features and Benefits:

<b>5 Cooking Functions</b>	Grill, Gratin, Multi Level, Pizza, Traditional
<b>Self Cleaning Catalytic Liners</b>	Located on the Sides and Back of the oven cavity, you only need to clean the door and base of the unit on a regular basis making maintenance extremely easy.
<b>Storage Draw</b>	You can keep all your dishes and baking trays in the draw freeing up space in the cupboards for other things
<b>4 Gas Burners including Triple Ring Burner</b>	With a variety of burners to choose from, there's a suitable one for any cooking requirement.
<b>Automatic Ignition and Flame Failure</b>	One hand ignition for simply lighting of the burner, and flame failure gives peace of mind as it shuts off the gas if the flame is extinguished (boil overs or wind gusts etc)
<b>Triple Glazed Door</b>	Cool touch door makes it safer for all the family in the kitchen. Less chance of burning

---

**Distributed by Arisit Pty Ltd**

40-44 Mark Anthony Drive, Dandenong South VIC 3175 Ph: 1300 762 219 Fax: 03 9768 0838 Website: [www.arisit.com](http://www.arisit.com)

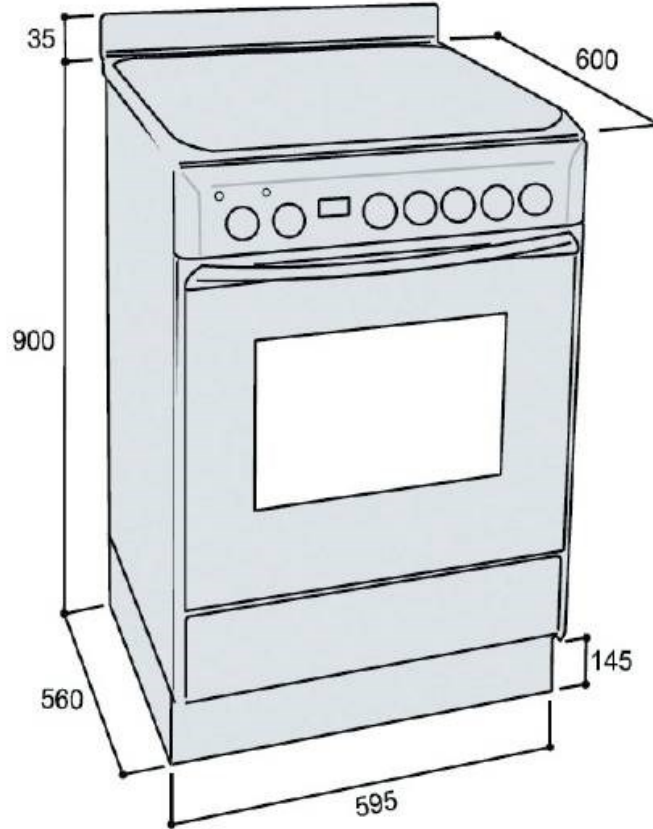
1A Howe Street, Newton, Auckland NZ 1145

Ph:(09) 306 1020

Fax: (09) 302 0077

# CX65SM2(X) AUS

## 60cm Upright Cooker



### Technical Specifications:

Cooking Zones	4
Trivet Type	2 Grids, Cast Iron
Ignition	Automatic One Hand
Oven Capacity (Gross)	68L
Absorbed Power	3000W
Gas Power	7.8kW
Connection	240V / 50/60Hz/12.5A
Dimensions (W) x (H) x (D)	600 x 900 x 600

### ELEMENT CONFIGURATION

Front Left	3250W - 130mm
Front Right	1000W - 55mm
Rear Left	1900W - 75mm
Rear Right	3000W - 100mm

**WARNING:** technical specifications and product sizes can be varied by the manufacturer, without notice. Cut outs for appliances should only be by physical product measurements. The above information is indicative only.

### Distributed by Arisit Pty Ltd

40-44 Mark Anthony Drive, Dandenong South VIC 3175 Ph: 1300 762 219 Fax: 03 9768 0838 Website: [www.arisit.com](http://www.arisit.com)

1A Howe Street, Newton, Auckland NZ 1145

Ph:(09) 306 1020

Fax: (09) 302 0077