

# CP859MT(X) AUS

## 80cm Upright Cooker



### 80cm Gas / Electric Upright Cooker

#### Features and Benefits:

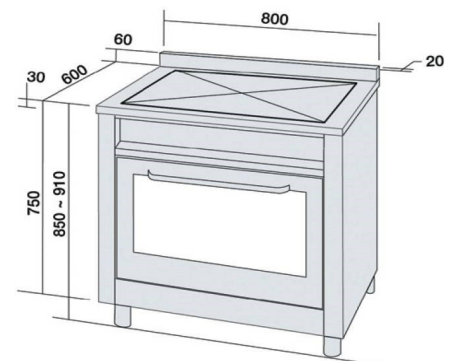
<b>8 Cooking Functions</b>	Traditional, Multi-Level Cooking, Barbecue, Gratin, Pizza, Baking, Grill (Rotisserie), Defrosting
<b>Self Cleaning Catalytic Liners</b>	Located on the Top, Sides and Back of the oven cavity, you only need to clean the door and base of the unit on a regular basis making maintenance extremely easy.
<b>Built In Rotisserie</b>	Just like using your BBQ outside, without having to battle the elements or the messy clean up.
<b>Fully Programmable Clock and Timer</b>	Simply set and forget. The oven will turn on and/or off at the specified time.
<b>5 Gas Burners including Triple Ring Burner</b>	With a variety of burners to choose from, there's a suitable one for any cooking requirement.
<b>Automatic Ignition and Flame Failure</b>	One hand ignition for simply lighting of the burner, and flame failure gives peace of mind as it shuts off the gas if the flame is extinguished (boil overs or wind gusts etc)
<b>Triple Glazed Door</b>	Cool touch door makes it safer for all the family in the kitchen. Less chance of burning yourself if the door is accidentally touched while the oven is on.

#### Technical Specifications:

Cooking Zones	5
Trivet Type	3 Grid, Cast Iron
Ignition	Automatic One Hand
Oven Capacity (Gross)	90L
Absorbed Power	3850-3105W
Gas Power	10.55kW
Connection	230-240V / 50Hz / 12.39A
Dimensions (W) x (H) x (D)	800 x 850~910 x 600

#### ELEMENT CONFIGURATION

Front Left	1650W - 75mm
Front Right	3000W - 100mm
Middle (Triple Ring)	3250W - 130mm
Rear Left	1650W - 75mm
Rear Right	1000W - 55mm



#### Distributed by Arisit Pty Ltd

40-44 Mark Anthony Drive, Dandenong South VIC 3175 Ph: 1300 762 219 Fax: 03 9768 0838 Website: [www.arisit.com](http://www.arisit.com)

1A Howe street, Auckland, New Zealand 1145 Ph: (09) 306 1020 Fax: 09 3020077

