

# CP059MD(X) AUS

## 90cm Upright Cooker



### 90cm Gas / Electric Upright Cooker

#### Features and Benefits:

<b>8 Cooking Functions</b>	Traditional, Multi-Level Cooking, Barbecue, Gratin, Pizza, Baking, Grill (Rotisserie), Defrosting
<b>Self Cleaning Catalytic Liners</b>	Located on the Top, Sides and Back of the oven cavity, you only need to clean the door and base of the unit on a regular basis making maintenance extremely easy.
<b>Built In Rotisserie</b>	Just like using your BBQ outside, without having to battle the elements or the messy clean up.
<b>Fully Programmable Clock and Timer</b>	Simply set and forget. The oven will turn on and/or off at the specified time.
<b>5 Gas Burners including 2x2 Wok Burner</b>	From a true simmer, to a searing heat this burner is the most versatile on the market. Great for those delicate sauces, or to cook the perfect steak or stirfry.
<b>Automatic Ignition and Flame Failure</b>	One hand ignition for simply lighting of the burner, and flame failure gives peace of mind as it shuts off the gas if the flame is extinguished (boil overs or wind gusts etc)
<b>Triple Glazed Door</b>	Cool touch door makes it safer for all the family in the kitchen. Less chance of burning yourself if the door is accidentally touched while the oven is on.

**Distributed by Arisit Pty Ltd**

40-44 Mark Anthony Drive, Dandenong South VIC 3175 Ph: 1300 762 219 Fax: 03 9768 0838 Website: [www.arisit.com](http://www.arisit.com)

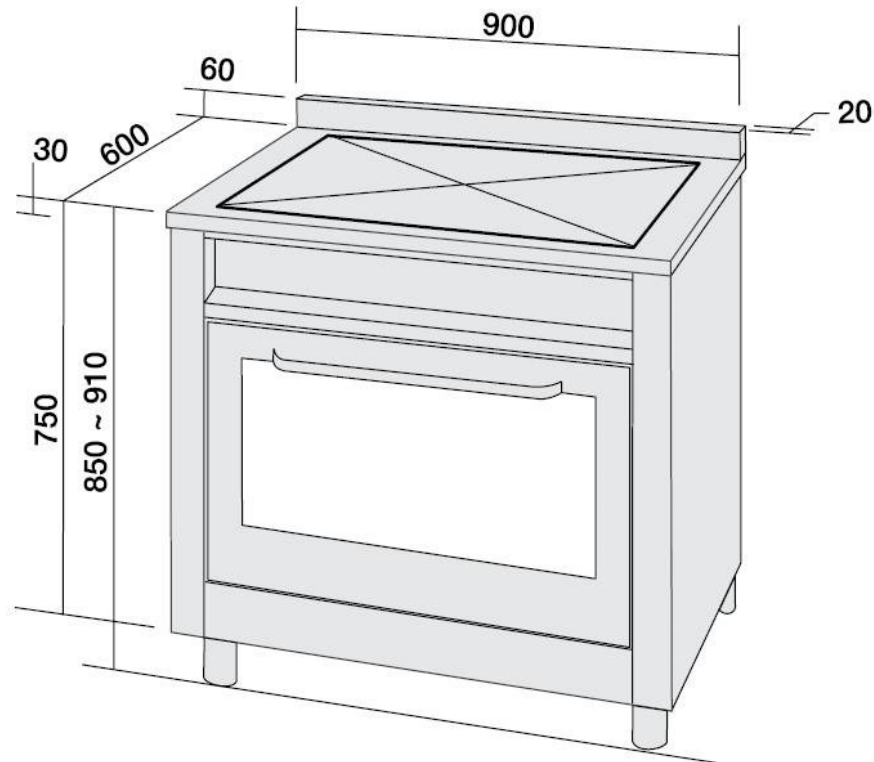
1A Howe Street, Newton, Auckland NZ 1145

Ph:(09) 306 1020

Fax: (09) 302 0077

# CP059MD(X) AUS

## 90cm Upright Cooker



### Technical Specifications:

Cooking Zones	5
Trivet Type	3 Grid, Cast Iron
Ignition	Automatic One Hand
Oven Capacity (Gross)	90L
Absorbed Power	3850-3105W
Gas Power	12.3kW
Connection	230-240V / 50Hz / 12.39A
Dimensions (W) x (H) x (D)	900 x 850~910 x 600

### ELEMENT CONFIGURATION

Front Left	1650W - 75mm
Front Right	3000W - 100mm
Middle (2x2 Burner)	900+4100W - 130mm
Rear Left	1650W - 75mm
Rear Right	1000W - 55mm

WARNING: technical specifications and product sizes can be varied by the manufacturer, without notice. Cut outs for appliances should only be by physical product measurements. The above information is indicative only.

### Distributed by Arisit Pty Ltd

40-44 Mark Anthony Drive, Dandenong South VIC 3175 Ph: 1300 762 219 Fax: 03 9768 0838 Website: www.arisit.com

1A Howe Street, Newton, Auckland NZ 1145

Ph:(09) 306 1020 Fax: (09) 302 0077