

BCB333AVEI FF

294L Integrated Fridge Freezer



294L Integrated Fridge Freezer

Features and Benefits:

Holiday Mode	Uses less power by running minimal cooling cycles. This is ideal when you are away and the door is not being opened regularly.
Super Freezer / Super Cool	This will cool the cavities quickly. Perfect if you want something cooled quickly (such as drinks) or if you put items in that are not already chilled.
Open Door Signal	If you accidentally leave the door open the fridge will signal you to close the door making it more efficient and less likely for inconsistent temperatures to spoil foods quickly.
Frost Free	No need to defrost manually and scrape down ice, it will regularly run defrost cycles to prevent ice build up.
Accessories	Egg Holder, Butter Box, Wine Bottle Holder, Ice Trays

Distributed by Arisit Pty Ltd

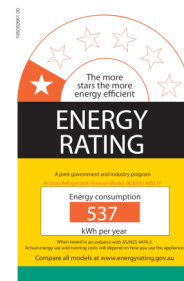
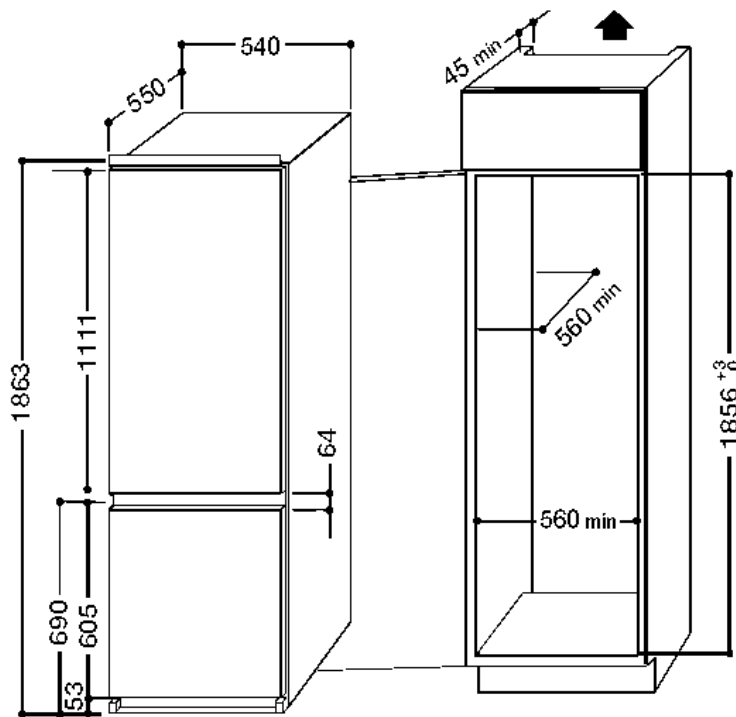
40-44 Mark Anthony Drive, Dandenong South VIC 3175 Ph: 1300 762 219 Fax: 03 9768 0838 Website: www.arisit.com

1A Howe Street, Newton, Auckland NZ 1145

Ph:(09) 306 1020 Fax: (09) 302 0077

BCB33AVEI FF

294L Integrated Fridge Freezer



Technical Specifications:

Total Capacity	294L
Fridge	223L
Freezer	71L
Display	Electronic
Door Open Acoustic Signal	Y
Reversible Doors	Y
Extra Functions	Party Ice / Super Cool / Super Freeze / Holiday Mode

Energy Usage (Annual) / Star Rating	537kWh / 1 Stars
Voltage / Frequency (V/Hz)	220-240 / 50Hz
Absorbed Current (A)	0.5
Maximum Absorbed Power (W)	2100-2400
Cable Length	2m
Country of Origin	Italy
Dimensions (W) x (H) x (D)	540 x 1863 x 550

WARNING: technical specifications and product sizes can be varied by the manufacturer, without notice. Cut outs for appliances should only be by physical product measurements. The above information is indicative only.

Distributed by Arisit Pty Ltd

40-44 Mark Anthony Drive, Dandenong South VIC 3175 Ph: 1300 762 219 Fax: 03 9768 0838 Website: www.arisit.com
 1A Howe Street, Newton, Auckland NZ 1145 Ph:(09) 306 1020 Fax: (09) 302 0077