

BCB 7030 F

282L Integrated Fridge Freezer



TECHNICAL SPECIFICATIONS

Total Capacity (L)	282
Fridge Net Capacity (L)	204
Freezer Capacity (L)	78
Supply Voltage (V)	220-240
Supply Frequency (Hz)	50
Absorbed Current (A)	16
Plug Type	Australian
Cable Length (M)	2

FRIDGE COMPARTMENT

User Interface	Electronic-Digital
Energy Consumption per year (kWh)	234
Climatic Class	T
Cooling System	Global Air
Door Reversibility	Right
Condenser	Normal
Gas in the Cooling Circuit	R600
Fridge Cooling System	Fan Air 2012
Fridge Defrost System	Automatic
No. of Shelves & Levels	4
Fridge Shelf Type	BI Glass with aluminium profile
Meat Box	Fresh Box
No. of Salad Crispers	1 BI Big Crisper
Salad Crisper Colour	BI Glass with aluminium profile with glass cover
Internal Light	1 Lateral light
Accessories	Maxi Bottles
Special Accessories	BI Fresh Box on shelf
Warranty	2 Years

FREEZER COMPARTMENT

Freezer Cooling System	No Frost
Total No. of Compartments	2
No. of Ice Trays	1

DIMENSIONS

Product Dimensions (W) x (H) x (D)	540 x 1770 x 545
Built In Dimensions (W) x (H) x (D)	570 x 1776 x 550
Packaging Dimensions (W) x (H) x (D)	685 x 850 x 956
Net Weight/Gross Weight	62kg

FEATURES & BENEFITS



Air Technology

AIR Technology dynamic ventilation, perfect air circulation system keeps the internal temperature constant and evenly distributed, maintaining the right level of humidity and preventing food from drying out.



No Frost

A fan located on the rear wall of the freezer evenly distributes the cold humidity-free air which prevents frost formation and maintains food perfectly.



Holiday Mode

Uses less power by running minimal cooling cycles. This feature is ideal for when you are away and the door is not being opened regularly.



Speed Cool

Instantly reduces the temperature of the fridge section and minimises temperature changes even when introducing food you have just brought.



Quick Freeze

This function can be used to freeze food faster. The water in the food is transformed into micro ice crystals, whilst still maintaining the nutritional qualities of fresh and cooked food.

DISTRIBUTED BY ARISIT PTY LTD

40-50 Mark Anthony Drive,
Dandenong South VIC 3175
Ph: 1300 762 219
Fax: 03 9768 0838
Website: www.arisit.com

1A Howe Street,
Newton, Auckland NZ 1145
Ph: (09) 306 1020
Website: www.arisit.com



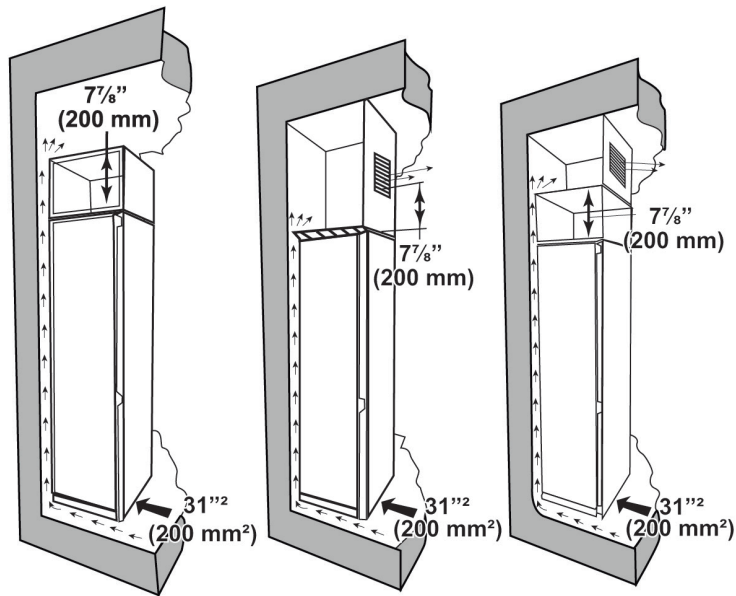
BCB 7030 F

282L Integrated Fridge Freezer



 **ARISTON**

BUILT IN DIMENSIONS



WARNING: technical specifications and product sizes can be varied by the manufacturer, without notice. Cut outs for appliances should only be by physical product measurements. The above is indicative only.

DISTRIBUTED BY ARISIT PTY LTD
40-50 Mark Anthony Drive,
Dandenong South VIC 3175
Ph: 1300 762 219
Fax: 03 9768 0838
Website: www.arisit.com

1A Howe Street,
Newton, Auckland NZ 1145
Ph: (09) 306 1020
Website: www.arisit.com

