

# ARU75AX-L

## 75cm Undermount Hood



**ARISTON**



## 75cm Undermount Hood

---

### Features and Benefits:

<b>700 m3/h Extraction</b>	Removes cooking odours with ease
<b>50/53/58 dB Noise Rating</b>	Quiet operation makes this unit perfect for open plan kitchens
<b>LED Lighting</b>	Giving extra light when needed in the kitchen
<b>3 Speed Settings</b>	Depending on what you're cooking you can vary the amount of extraction as required

---

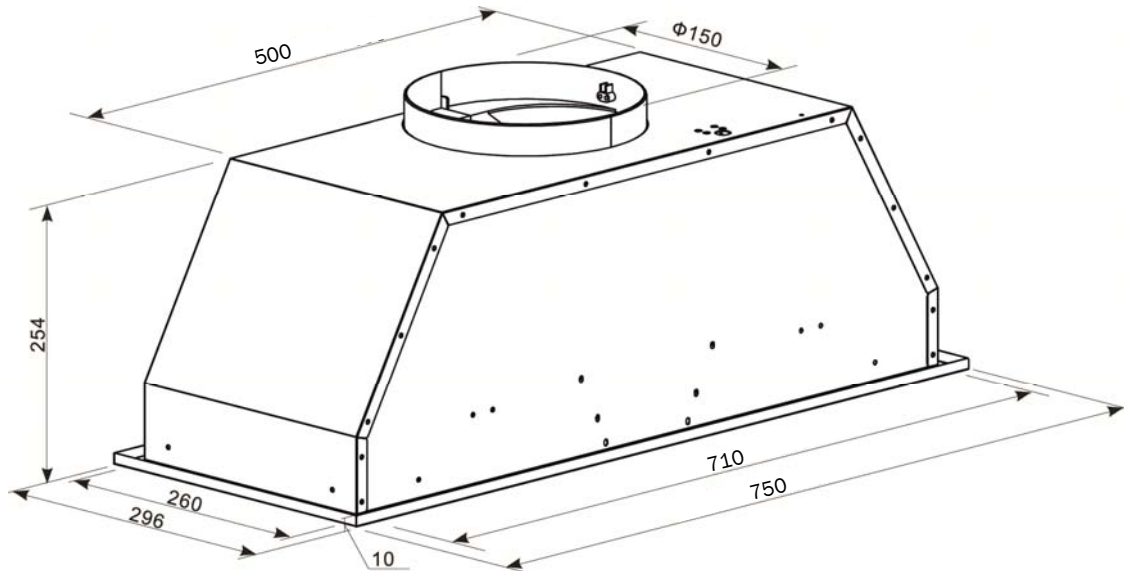
**Distributed by Arisit Pty Ltd**

40-44 Mark Anthony Drive, Dandenong South VIC 3175 Ph: 1300 762 219 Fax: 03 9768 0838 Website: [www.arisit.com](http://www.arisit.com)

1A Howe street, Auckland, New Zealand 1145 Ph: (09) 306 1020 Fax: 09 3020077

# ARU75AX-L

## 75cm Undermount Hood



### Technical Specifications:

Extraction Rate	700 m3/h
Speed Settings	3
Lighting Type / Position	LED / Rear
Control Type	Sliding switch
Colour	Stainless Steel
Filter Type	Aluminum or Optional Carbon Filter (2306011.005)
Motor	Single
dB Rating	50/53/58
Dimensions (W) x (H) x (D)	750 x 254 x 296

Technical	
Connection	220-240V - 50Hz
Ducting Outlet	150mm
Plug type	Australian-10A

WARNING: technical specifications and product sizes can be varied by the manufacturer, without notice. Cut outs for appliances should only be by physical product measurements. The above information is indicative only.

### Distributed by Arisit Pty Ltd

40-44 Mark Anthony Drive, Dandenong South VIC 3175 Ph: 1300 762 219 Fax: 03 9768 0838 Website: [www.arisit.com](http://www.arisit.com)

1A Howe Street, Newton, Auckland NZ 1145

Ph:(09) 306 1020 Fax: (09) 302 0077