

# ARU70S

## 70cm Undermount Hood



ARISTON



### 70cm Undermount Hood

---

#### Features and Benefits:

<b>500 m3/h Extraction</b>	Removes cooking odours with ease
<b>55dB Noise Rating</b>	Quiet operation makes this unit perfect for open plan kitchens
<b>Halogen Lighting</b>	Giving extra light when needed in the kitchen
<b>3 Speed Settings</b>	Depending on what you're cooking you can vary the amount of extraction as required

---

**Distributed by Arisit Pty Ltd**

40-44 Mark Anthony Drive, Dandenong South VIC 3175 Ph: 1300 762 219 Fax: 03 9768 0838 Website: [www.arisit.com](http://www.arisit.com)

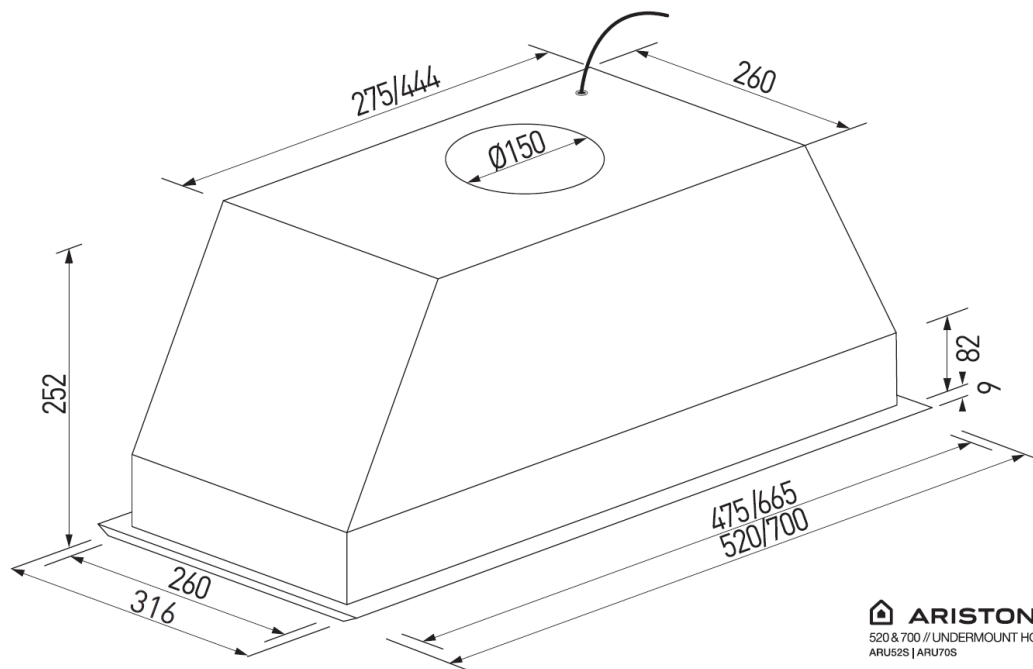
1A Howe Street, Newton, Auckland NZ 1145

Ph:(09) 306 1020

Fax: (09) 302 0077

# ARU70S

## 70cm Undermount Hood



**ARISTON**  
520 & 700 // UNDERMOUNT HOOD  
ARU52S | ARU70S

### Technical Specifications:

Extraction Rate	500 m3/h
Speed Settings	3
Lighting Type / Position	Halogen / Rear
Control Type	Push Button
Colour	White with Stainless Steel Fascia
Filter Type	Aluminum
dB Rating	55
Dimensions (W) x (H) x (D)	700 x 252 x 286

<b>Technical</b>	
Connection	240V~ 50/60Hz 10A
Ducting Outlet	150mm

WARNING: technical specifications and product sizes can be varied by the manufacturer, without notice. Cut outs for appliances should only be by physical product measurements. The above information is indicative only.

### Distributed by Arisit Pty Ltd

40-44 Mark Anthony Drive, Dandenong South VIC 3175 Ph: 1300 762 219 Fax: 03 9768 0838 Website: www.arisit.com

1A Howe Street, Newton, Auckland NZ 1145 Ph:(09) 306 1020 Fax: (09) 302 0077