

ARU52AX-L

52cm Undermount Hood



ARISTON



52cm Undermount Hood

Features and Benefits:

700 m3/h Extraction	Removes cooking odours with ease
50/53/58 dB Noise Rating	Quiet operation makes this unit perfect for open plan kitchens
LED Lighting	Giving extra light when needed in the kitchen
3 Speed Settings	Depending on what you're cooking you can vary the amount of extraction as required

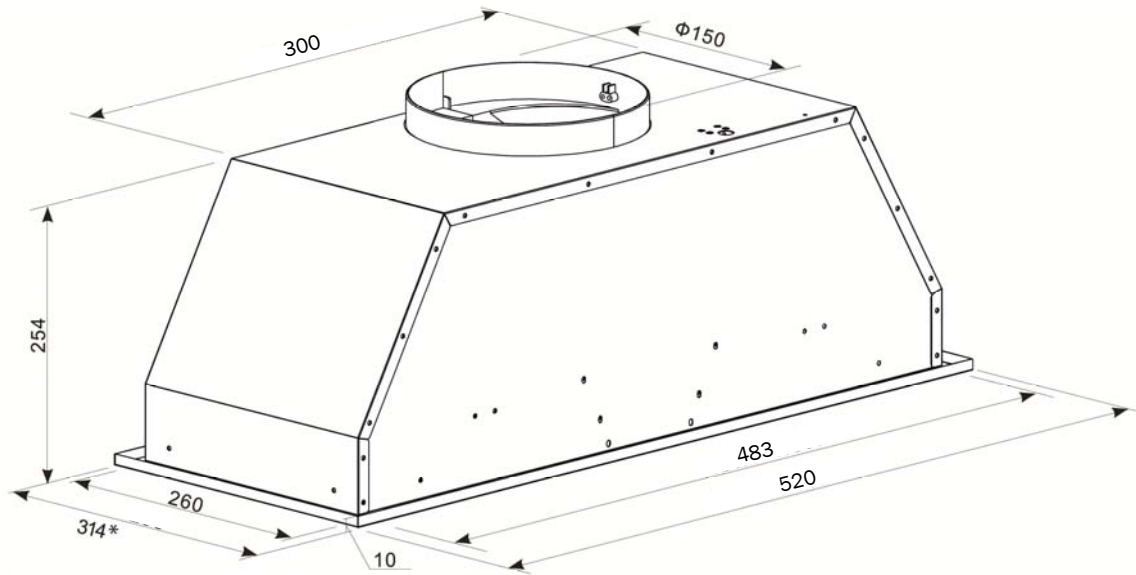
Distributed by Arisit Pty Ltd

40-44 Mark Anthony Drive, Dandenong South VIC 3175 Ph: 1300 762 219 Fax: 03 9768 0838 Website: www.arisit.com

1A Howe street, Auckland, New Zealand 1145 Ph: (09) 306 1020 Fax: 09 3020077

ARU52AX-L

52cm Undermount Hood



*bevelled edge ARU52AX-L

Technical Specifications:

Extraction Rate	700 m3/h
Speed Settings	3
Lighting Type / Position	LED / Rear
Control Type	Sliding switch
Colour	Stainless Steel
Filter Type	Aluminum or Optional Carbon Filter (2306011.005)
Motor	Single
dB Rating	50/53/58
Dimensions (W) x (H) x (D)	520 x 254 x 314

Technical	
Connection	220-240V - 50Hz
Ducting Outlet	150mm
Plug type	Australian-10A

WARNING: technical specifications and product sizes can be varied by the manufacturer, without notice. Cut outs for appliances should only be by physical product measurements. The above information is indicative only.

Distributed by Arisit Pty Ltd

40-44 Mark Anthony Drive, Dandenong South VIC 3175 Ph: 1300 762 219 Fax: 03 9768 0838 Website: www.arisit.com

1A Howe Street, Newton, Auckland NZ 1145

Ph:(09) 306 1020 Fax: (09) 302 0077