

ARHS 60X-L



60cm Slideout Hood



60cm Slideout Hood

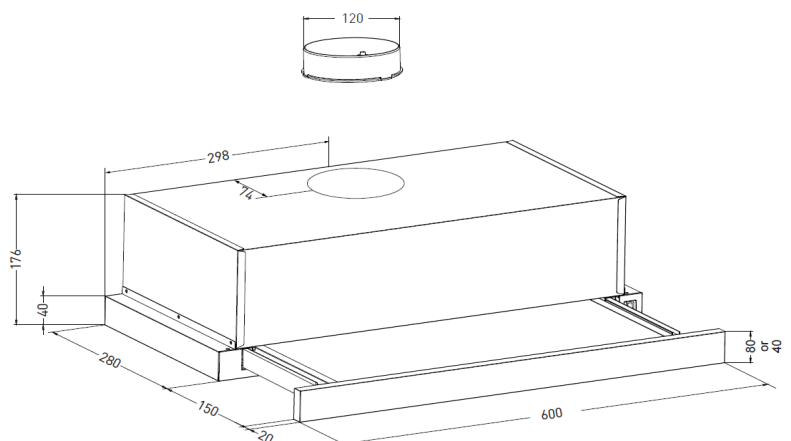
Features and Benefits:

440 m3/h extraction	Removes cooking odours with ease
Ducted or Recirculating	With the ability to either duct or recirculate this hood, you can fit it in any home
LED Lighting	Giving extra light when needed in the kitchen
2 Speed Settings	Depending on what you're cooking you can vary the amount of extraction as required
Aluminium Filter (carbon optional)	Perfect for recirculating application removes cooking odours before the air is directed back into the room
Twin Motor	Centrifugal motors helps to extract the air at a faster and more efficient rate

Technical Specifications:

Extraction Rate	440 m3/h
Speed Settings	2
Lighting Type / Position	LED / Rear
Control Type	Mechanical
Colour	White with Stainless Steel Fascia
Filter Type	Aluminum (carbon optional)
Dimensions (W) x (H) x (D)	598 x 176 x 280

Technical	
Connection	220/240V~ / 200W
Ducting Outlet	120mm
Ducted Rail	40mm
Recirculating Rail	80mm



Distributed by Arisit Pty Ltd

40-44 Mark Anthony Drive, Dandenong South VIC 3175 Ph: 1300 762 219 Fax: 03 9768 0838 Website: www.arisit.com

1A Howe street, Auckland, New Zealand 1145

Ph: (09) 306 1020 Fax: 09 3020077