

ARH9SIX-L

90cm Slideout Hood



 **ARISTON**



90cm Slideout Hood

Features and Benefits:

450 m3/h extraction	Removes cooking odours with ease
Ducted or Recirculating	With the ability to either duct or recirculate this hood, you can fit it in any home
LED Lighting	Giving extra light when needed in the kitchen
2 Speed Settings	Depending on what you're cooking you can vary the amount of extraction as required
Carbon Filters	Perfect for recirculating application removes cooking odours before the air is directed back into the room

Distributed by Arisit Pty Ltd

40-44 Mark Anthony Drive, Dandenong South VIC 3175 Ph: 1300 762 219 Fax: 03 9768 0838 Website: www.arisit.com

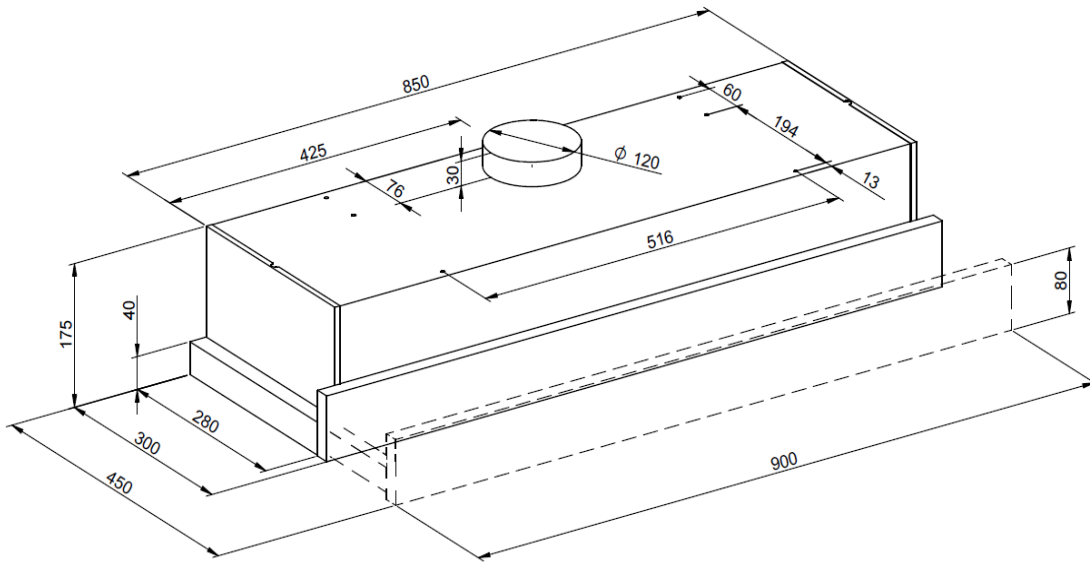
1A Howe Street, Newton, Auckland NZ 1145

Ph:(09) 306 1020

Fax: (09) 302 0077

ARH9SIX

90cm Slideout Hood



Technical Specifications:

Extraction Rate	450 m3/h
Speed Settings	2
Lighting Type / Position	LED / Rear
Control Type	Mechanical
Colour	White with Stainless Steel Fascia
Filter Type	Aluminum
Motor	Twin motor
Dimensions (W) x (H) x (D)	900 x 175 x 300 (450 extended)

Technical	
Connection	220/240V~ / 200W
Ducting Outlet	120mm

WARNING: technical specifications and product sizes can be varied by the manufacturer, without notice. Cut outs for appliances should only be by physical product measurements. The above information is indicative only.

Distributed by Arisit Pty Ltd

40-44 Mark Anthony Drive, Dandenong South VIC 3175 Ph: 1300 762 219 Fax: 03 9768 0838 Website: www.arisit.com

1A Howe Street, Newton, Auckland NZ 1145

Ph:(09) 306 1020

Fax: (09) 302 0077