

AGITUM850

85cm Undermount Hood



 **ARISTON**



85cm Undermount Hood



900m³/h airflow



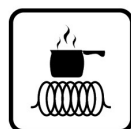
18/10 grade stainless baffle filter system



10 AMP GPO required



2 x 2.5W LED spot lights



Induction Countdown Control



Handcrafted in Italy

Features and Benefits:

900 m³/h Extraction	Removes cooking odours with ease
Baffle filter	18/10 grade stainless baffle filter system
LED Lighting	2 x 2.5W LED lights give extra light when needed in the kitchen
4 Speed Settings with countdown timer	Powerful extraction with run-on timer to clear odours after cooking
dBA Rating	Min 30 - Max 46 dBA noise rating

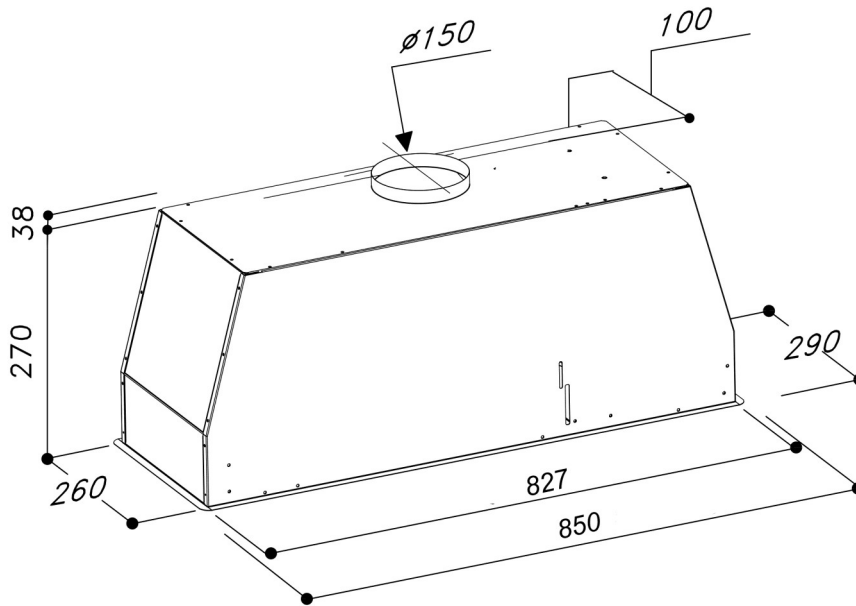
5 YEAR WARRANTY

Distributed by Arisit Pty Ltd

40-44 Mark Anthony Drive, Dandenong South VIC 3175 Ph: 1300 762 219 Fax: 03 9768 0838 Website: www.arisit.com
 1A Howe street, Auckland, New Zealand 1145 Ph: (09) 306 1020 Fax: 09 3020077

AGITUM850

85cm Undermount Hood



All dimensions in mm.

Technical Specifications:

Extraction Rate	900 m ³ /h
Speed Settings	4
Lighting Type / Position	LED / Front
Control Type	Buttons
Colour	Stainless Steel
Filter Type	18/10 grade stainless baffle filter system
Motor	Single
Dimensions (W) x (H) x (D)	850 x 270 x 290

Technical	
Connection	220-240V - 50Hz
Ducting Outlet	150mm
Plug type	Australian-10A

WARNING: technical specifications and product sizes can be varied by the manufacturer, without notice. Cut outs for appliances should only be by physical product measurements. The above information is indicative only.

5 YEAR WARRANTY

Distributed by Arisit Pty Ltd

40-44 Mark Anthony Drive, Dandenong South VIC 3175 Ph: 1300 762 219 Fax: 03 9768 0838 Website: www.arisit.com

1A Howe Street, Newton, Auckland NZ 1145

Ph:(09) 306 1020 Fax: (09) 302 0077